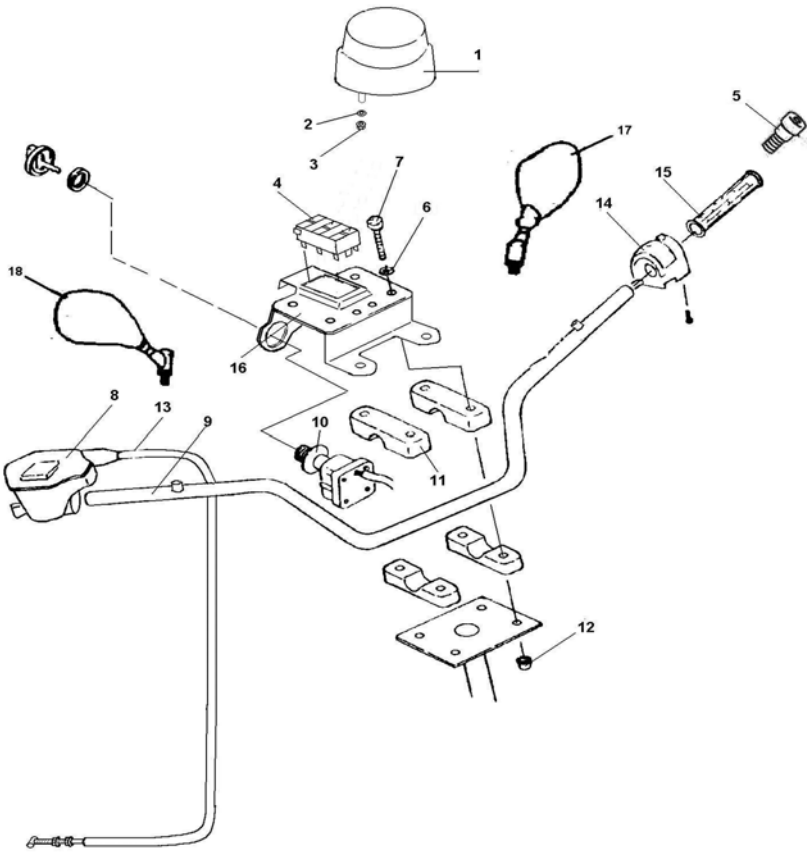
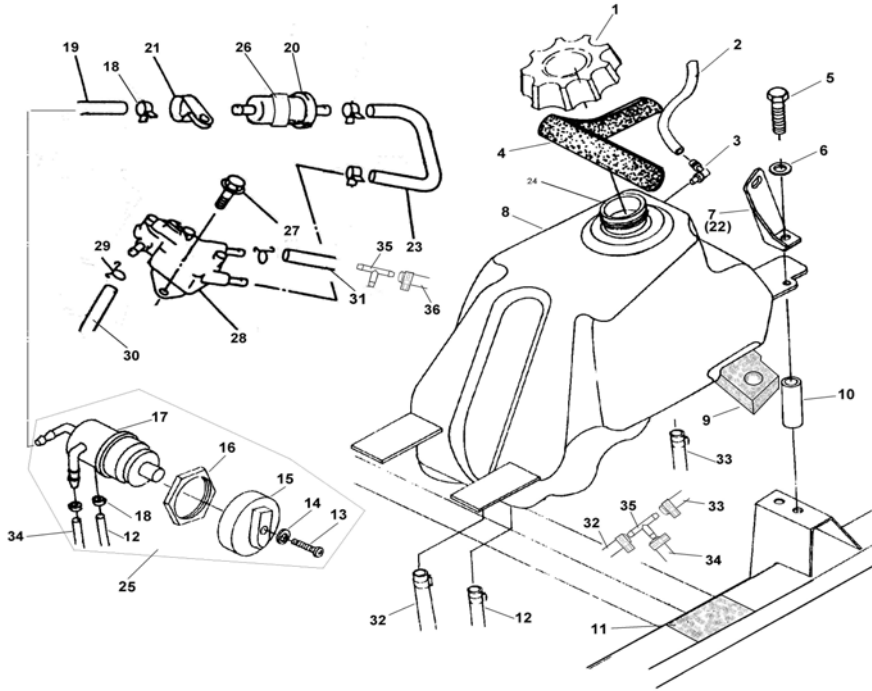


1 HANDLEBAR



REF. No.	PART No.	DESCRIPTION	Q'TY	SIZE
1	30101	SPEEDOMETER	1	LH260ATV.19.15
2	10006	WASHER 6	2	GB/T97.1-6
3	10004	NUT M6	2	GB/T6187-M6
4	30104a	WARNING LIGHT HIGH TEMP/DIRECTION	1	LH260ATV.19.14a
5	30119	GRIP END.	2	LH150T.11-1
6	10068	WASHER 8	4	GB/T97.1-8
7	10139	BOLT M8X65	4	GB/T5782-M8X65
8	20109	THROTTLE CONTROL	1	LH260ATV.5.2
9	30109	HANDLEBAR	1	LH260ATV.5-1a
10	30110	IGNITION SWITCH WITH KEY	1	LH260ATV.19.9B
11	20112a	HANDLEBAR CLAMP	4	LH260ATV.5-2
12	10079	NUT M8	4	GB/T6187-M8
13	20114	THROTTLE CABLE	1	LH260ATV.5.3
14	30114	SWITCH ASSY	1	LH260ATV.19.6B
15	30515	GRIP	2	
16	30116a	WARNING LIGHT BRACKET	1	LH260ATV.5-3a
17	30117	REAR VIEW MIRROR LEFT	1	
18	30118	REAR VIEW MIRROR RIGHT	1	

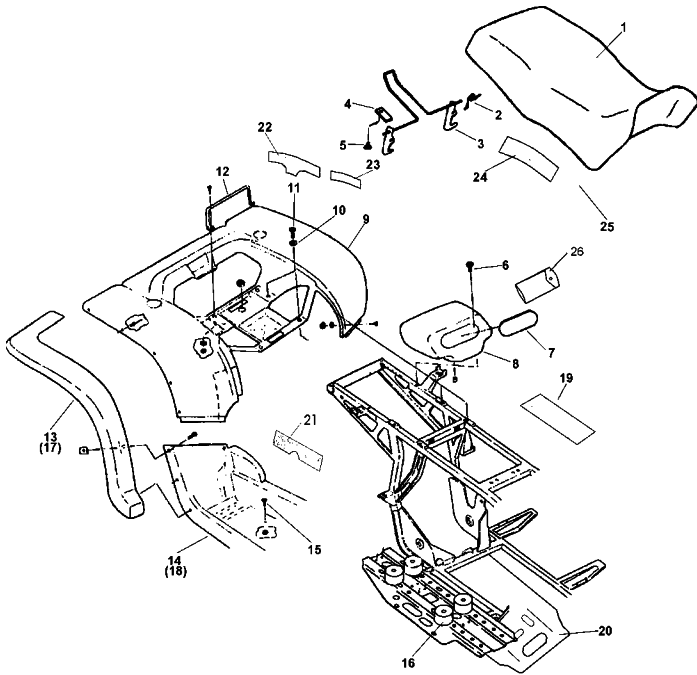
2 FUEL TANK



REF. No.	PART NO.	DESCRIPTION	Q'TY	SIZE	
1	20201	FUEL CAP	1	LH260ATV.8.2	
2	20202	VENT TUBE	1	LH260ATV.8-4	
3	20203	VENT FITTING	1	LH260ATV.8-9	
4	20204	FOAM GASKET	1	LH260ATV.8-3	460X70X20
5	10005	BOLT M6X60	2	GB/T5787-M6X60	
6	10006	WASHER 6	2	GB/T97.1-6	
7	20207	MOUNTING BRACKET LEFT	1	LH260ATV.8-7	
8	20208a	FUEL TANK	1	LH260ATV.8.1a	
9	20209	FOAM PAD	1	LH260ATV.8-1	
10	20210	SPACER	2	LH260ATV.8-2	
11	20211	MOUNTING PAD	2	LH260ATV.1-12	100X22X5
12	20212	FUEL HOSE	1	LH260ATV.8.5	
13	10007	SCREW M4	1	GB/T818-M4	
14	10071	WASHER 4	1	GB/T97.1-4	
15	20215	FUEL CONTROL KNOB	1	LH260ATV.8.3-1	
16	20216	NUT	1	LH260ATV.8.3-2	
17	20217	FUEL VALVE	1	LH260ATV.8.3.1	
18	20218	HOSE CLAMP 1	9	LH250T.3-7	
19	20219	FUEL LINE 2	1	LH260ATV.8.8	
20	20220	FUEL FILTER	1	LH250T.3.4	
21	20221	CLAMP	1	LH260ATV.8-5	
22	20222	MOUNTING BRACKET RIGHT	1	LH260ATV.8-8	
23	20223	FUEL LINE 1	1	LH260ATV.8.7a	
24	20224	FUEL CAP WASHER	1	LH260ATV.1.8-10	
25	20225	FUEL VALVE ASSY	1	LH260ATV.8.3	
26	20226	FUEL FILTER PAD	1	LH260ATV.8-6	
27	20227	BOLT M6X12	2	GB/T5787-M6X12	M6X12
28	20228	FUEL PUMP ASSY	1	LH250T.3.3	
29	20229	HOSE CLAMP 2	7	LH250T-B.5-5	φ10.5
30	20230	FUEL LINE 3	1	LH260ATV.8.9	
31	20231	PIPE	1	LH260ATV.8.10	
32	30232	FUEL HOSE1	1	LH260ATV.8.11	
33	30233	FUEL HOSE2	1	LH260ATV.8.12	

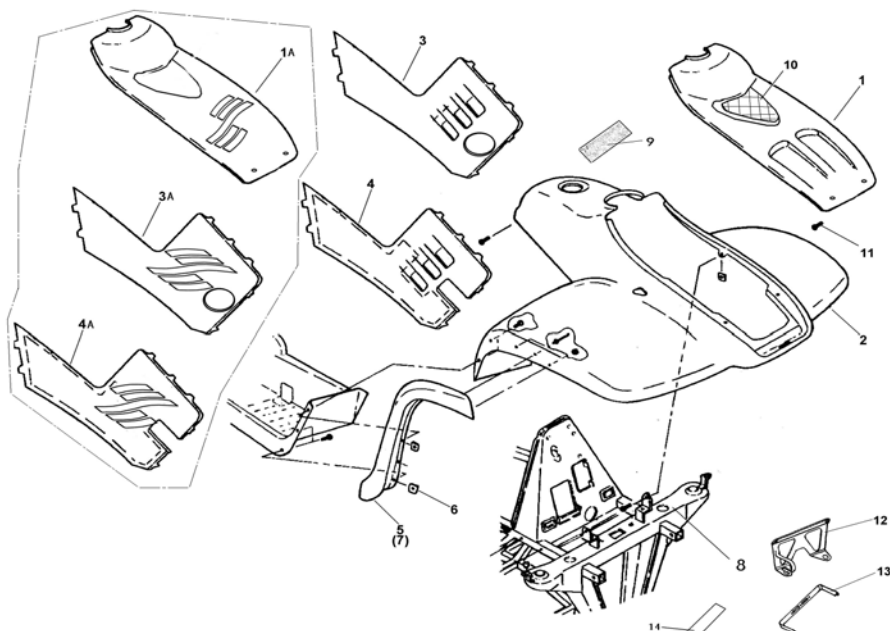
34	30234	FUEL HOSE3	1	LH260ATV.8.13
35	30235	FUEL HOSE COUPLER	2	170M-A.13-1
36	30236	PIPE 2	1	LH260ATV.8.14

3 REAR FENDER



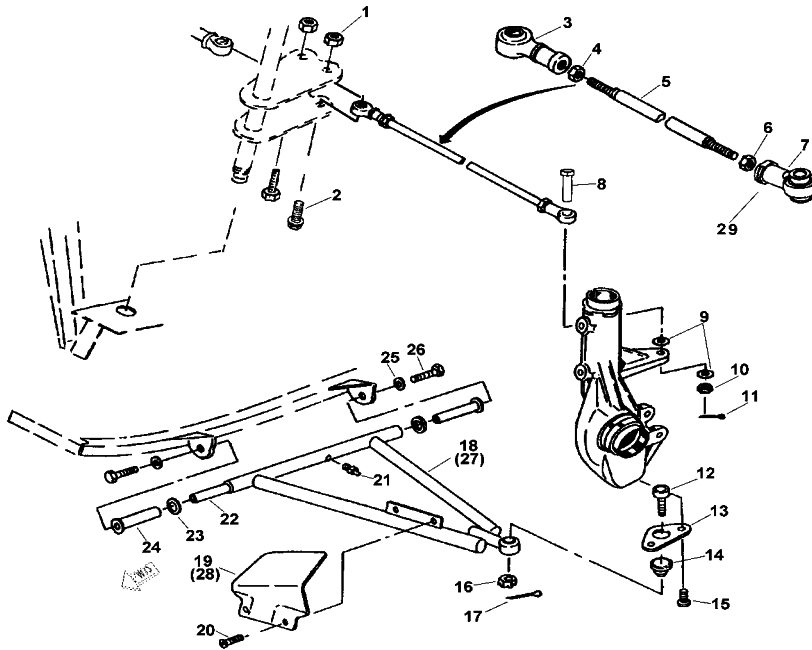
REF. No.	PART No.	DESCRIPTION	Q'TY	SIZE	
1	20301	SEAT	1	LH260ATV.9.1	
2	20302	SPRING	1	LH260ATV.9-1	
3	20303	LATCH ASSEMBLY	1	LH260ATV.9.2	
4	20304	RETAINER CLIP	2	LH260ATV.9-2	
5	10009	SCREW ST4.8X16	4	GB/T845-ST4.8X16	
6	10010	BOLT M6X15	2	GB/T5787-M6X15	
7	20307	STORAGE BOX COVER	1	LH260ATV.2-29	
8	20308	STORAGE BOX	1	LH260ATV.2-28	
9	20309	REAR FENDERS	1	LH260ATV.2-12	
10	10011	WASHER 6	4	GB/T96-6	
11	10010	BOLT M6X15	42	GB/T5787-M6X15	
12	20312	LATCH BRACKET	1	LH260ATV.2-20	
13	20313a	REAR MUD GUARD RIGHT	1	LH260ATV.2-14a	
14	20314a	FOOTREST RIGHT	1	LH260ATV.2-16a	
15	20315	BOLT M6X20	14	LH260ATV.2-23	
16	20316	RUBBER PAD	14	LH260ATV.1.15	
17	20317a	REAR MUD GUARD LEFT	1	LH260ATV.2-13a	
18	20318a	FOOTREST LEFT	1	LH260ATV.2-15a	
19	20319	BATTERY MOUNTING PAD	3	LH260ATV.1-11	160X30X5
20	20320	PLASTIC PLATE	1	LH260ATV.2-26	
21	20321	FOOTREST RIGHT ADIABATIC PELLICLE	1	LH260ATV.2.3	
22	20322	REAR MUD ADIABATIC PELLICLE A	2	LH260ATV.2.1	
23	20323	REAR MUD ADIABATIC PELLICLE B	2	LH260ATV.2.2	
24	20324	SEAT ADIABATIC PELLICLE	2	LH260ATV.9.3	
25	20325	SEAT ASSY	1	LH260ATV.9	
26	20326	TOOL	1		

4 FRONT BODY FRAME



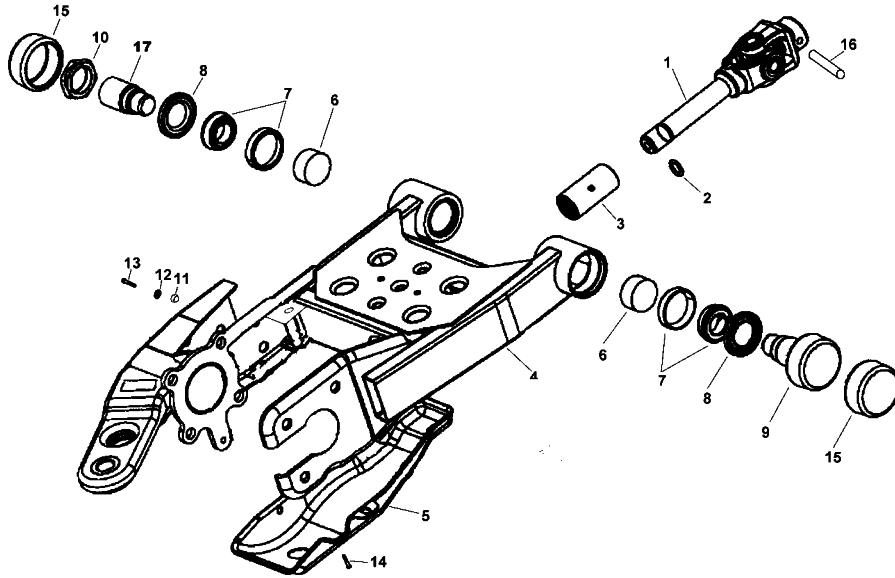
REF. No.	PART NO.	DESCRIPTION	Q'TY	SIZE	
1	20401a	FRONT COVER	1	LH260ATV.2-3a	
1A	20401b	FRONT COVER	1	LH260ATV.2-3b	
2	20402BU	FRONT BODY	1	LH260ATV.2-7	
3	20403a	SIDE COVER LEFT	1	LH260ATV.2-5a	
3A	20403b	SIDE COVER RIGHT	1	LH260ATV.2-5b	
4	20404a	SIDE COVER RIGHT	1	LH260ATV.2-6a	
4A	20404b	MUD GUARD RIGHT	1	LH260ATV.2-6b	
5	20405a	MUD GUARD RIGHT	1	LH260ATV.2-8a	
6	10004	SPRING NUT	40	GB/T6187-M6	
7	20407a	MUD GUARD LEFT	1	LH260ATV.2-9a	
8	20408	FRAME COMP.	1	LH260ATV.1.1	
9	20409	FRONT BODY FOAM	1	LH260ATV.2-11	150X100X35
10	20410	SMALL FRONT COVER	1	LH260ATV.2-34	
11	10009	SCREW ST4.8X16	2	GB/T845-ST4.8X16	
12	20412	UP BRACKET RADIATOR	1	LH260ATV.1-2	
13	20413a	DOWN BRACKET RADIATOR	1	LH260ATV.1-1	
14	20414	SPACER RUBBER	1	LH260ATV.1-10	

5 A-ARM



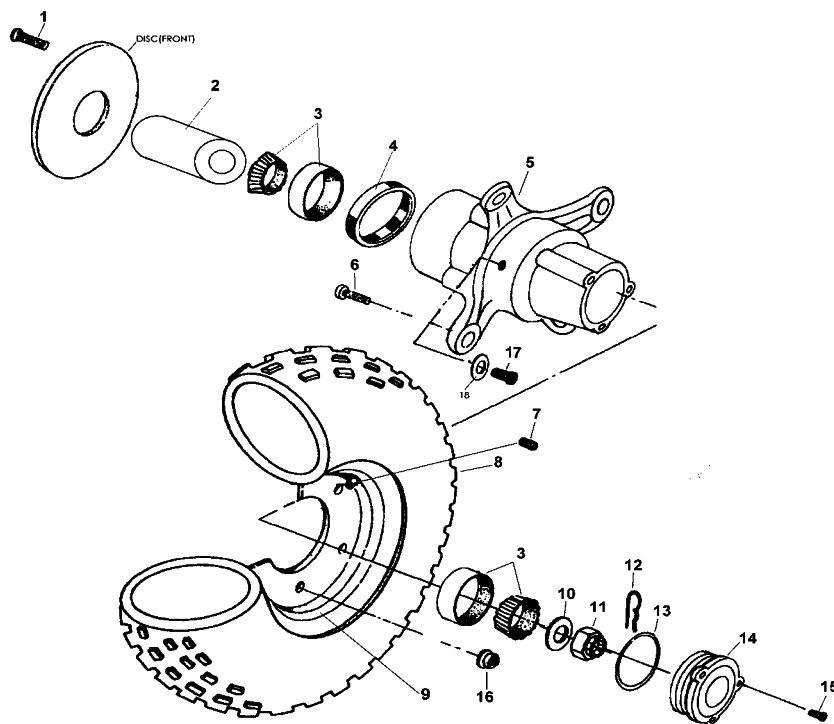
REF. No.	PART No.	DESCRIPTION	Q'TY	SIZE
1	10015	NUT M10X1.25	2	GB/T6187-M10X1.25
2	10016	BOLT M10X1.25X55	2	GB/T5785-M10X1.25X55
3	20503	TIE ROD END A	2	LH260ATV.1.7.2-1
4	10017	JAM NUT(RIGHT)	2	GB/T6172-M12
5	20505	TIE ROD	2	LH260ATV.1.7.2-3
6	20506	JAM NUT(LEFT)	2	LH260ATV.1.7.2-5
7	20507	TIE ROD END B	2	LH260ATV.1.7.2-4
8	10018	BOLT M10X1.25X55	2	GB/T31.3-M10X1.25X55
9	10019	WASHER	4	GB/T97.1-10
10	10020	NUT M10X1.25	2	GB/T9458- M10X1.25
11	10021	COTTER PIN	2	GB/T91-2.5X20
12	20512	BALL JOINT STUD	2	LH260ATV.3.2.4
13	20513	BALL JOINT MOUNTING BRACKET	2	LH260ATV.3.2-1
14	20514	BALL JIONT CUP	2	LH260ATV.3.2.-2
15	10022	BOLT M6X12	4	GB/T819.1-M6X12
16	10023	NUT M10	2	GB/T9458-M10X1
17	10021	COTTER PIN	2	GB/T91-2.5X20
18	20518	A-ARM LEFT	1	LH260ATV.1.8.1
19	20519	A - ARM SHIELD LEFT	1	LH260ATV.2-21
20	10001	SCREW M5X12	4	GB/T818-M5X12
21	10026	GREASE FITTING	2	JB/T7940.1-M6
22	20522	A-ARM PIVOT SHAFT	2	LH260ATV.1.8-3
23	20523	SPACER	4	LH260ATV.1.8-2
24	20524	BUSHING	4	LH260ATV.1.8-1
25	10027	WASHER 10	4	GB/T93-10
26	10028	BOLT M10X25	4	GB/T5783-M10X25
27	20627	A-ARM RIGHT	1	LH260ATV.1.8.2
28	20628	A - ARM SHIELD RIGHT	1	LH260ATV.2-22
29	20629	TIE ROD ASSY	2	LH260ATV.1.7.2

6 SWINGARM ASSY



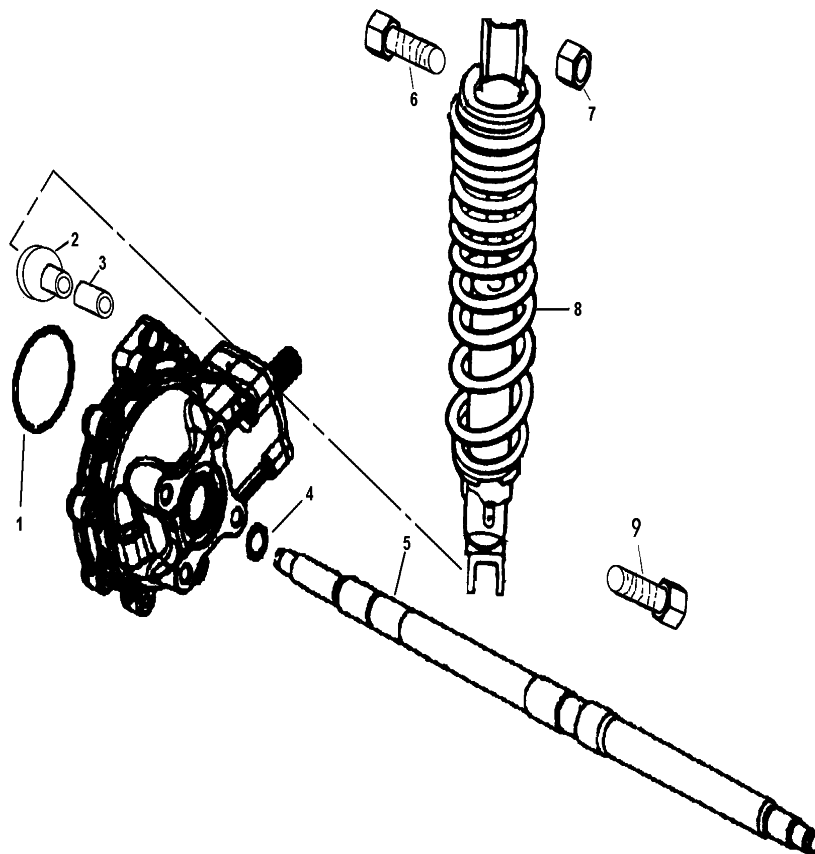
REF. No.	PART No.	DESCRIPTION	Q'TY	SIZE	
1	20701	REAR PROPSHAFT ASSY	1	LH260ATV.13.1	
2	10029	O-RING	1	GB3452.1-22.4X3.55	
3	20703	COUPLING-PROP SHAFT GREASED	1	LH260ATV.13.2	
4	30704	SWINGARM ASSY	1	LH260ATV.10.1.1e	
5	20705	SKID PLATE REAR	1	LH260ATV.10-1	
6	20706	SEAL-SWINGARM PIVOT	2	LH260ATV.10.1-2	4X5X20
7	10030	BRG TAPER ROLL	2	GB/T297-30205 3CC	
8	20708	SEAL	2	LH260ATV.10.1.2	31.8X54X6.5
9	20709	SWING ARM PIVOT RIGHT	1	LH260ATV.10.1-4	
10	20710	THREADED PIVOT	1	LH260ATV.10.1-5	
11	10031	NUT M12	3	GB/T6187-M12	
12	10032	WASHER 12	3	GB/T97.1-12	
13	10033	BOLT M12X35	3	GB/T5783-M12X35	
14	10034	BOLT M8X12	3	GB/T5787-M8X12	
15	20715	CAP SWINGARM PIVOT	2	LH260ATV.2-33	
16	20716	ROLL PIN	1	LH260ATV.13-1	
17	20717	SWINGARM PIVOT LEFT	1	LH260ATV.10.1-3	

7 WHEEL FRONT



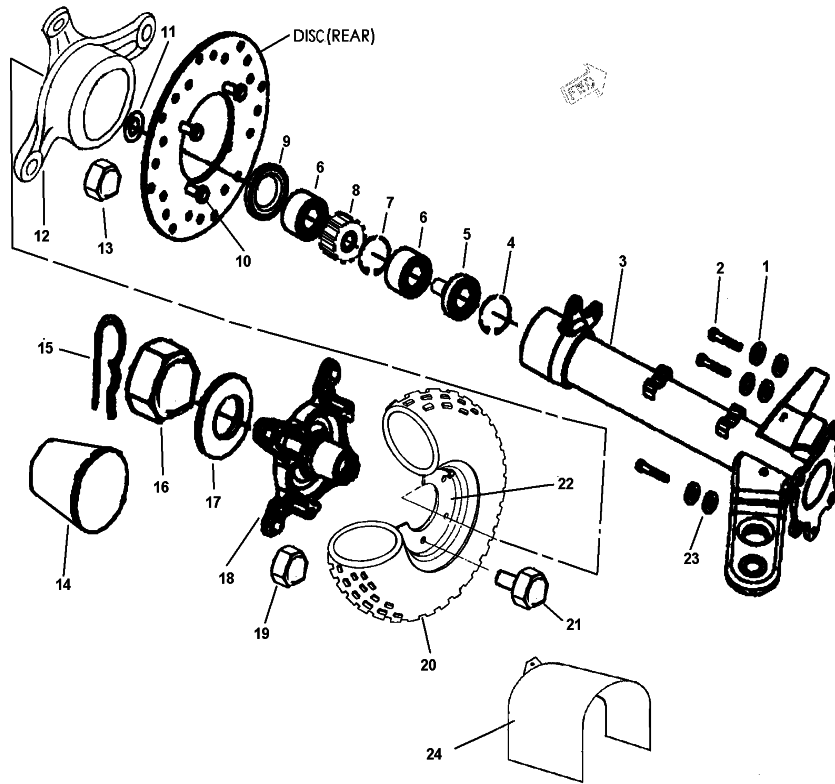
REF. No.	PART No.	DESCRIPTION	Q'TY	SIZE	
1	10035	BOLT M8X20	8	GB/T5783-M8X20	
2	20802	SPACER	2	LH260ATV.6-4	
3	10030	BEARING	4	GB/T297-30205 3CC	
4	20804	SEAL SLEEVE	2	LH260ATV.6.4	66.6X82.5X12.8
5	20805	HUB ASSY SHRT	2	LH260ATV.6.3-1	
6	20806	WHEEL STUD	8	LH260ATV.6-3	
7	20807	PLUG PIPE	2	LH125T-8.2-3	
8	30808	TIRE FRONT	2	LH260ATV.6.1.2a	AT24X8-12
9	20809	WHEEL FRONT	2	LH260ATV.6.1.1	
10	10037	WASHER 16	2	GB/T97.1-16	
11	20811	SLOTTED NUT M16X1.5	2	LH260ATV.6-1	M16X1.5
12	10038	COTTER PIN	2	GB/T91-4X28	
13	10039	O-RING	2	GB3452.1-46.5X2.65	
14	20814	HUB CAP 2-LOBE AWD	2	LH260ATV.6-2	
15	10040	SCREW M5X16	6	GB/T70.1-M5X16	
16	10015	LUG NUT M10X1.25	8	GB/T6187-M10X1.25	
17	20817	LUG	1	153FM.18-3	
18	20818	WASHER	1	153FM.18-2	

8 SHOCK ABSORBER REAR



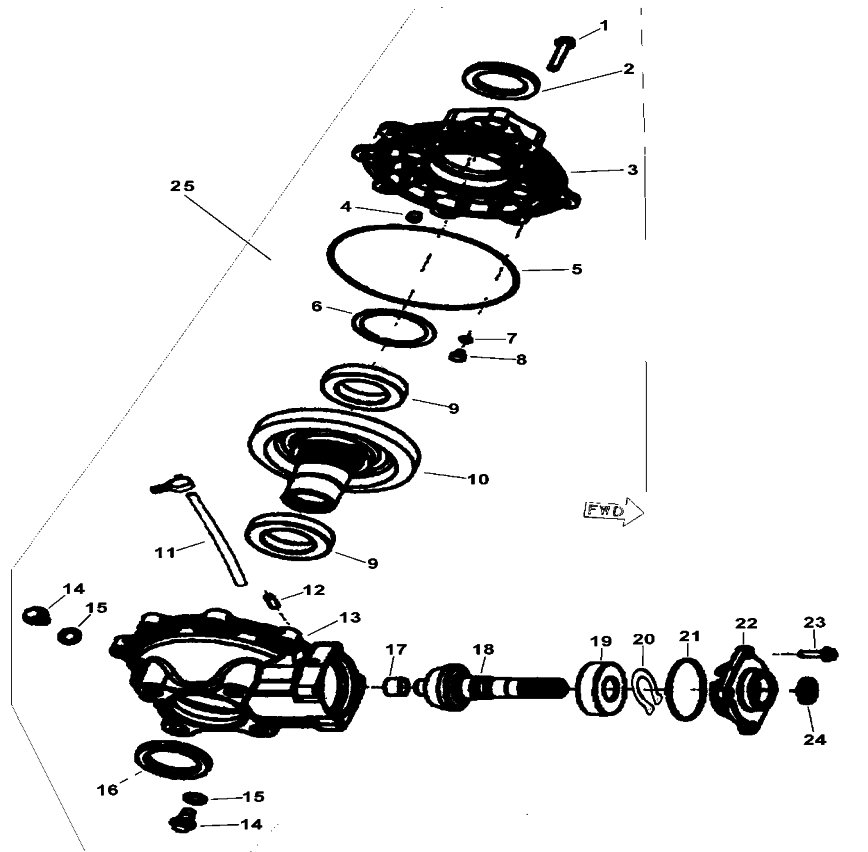
REF. No.	PART No.	DESCRIPTION	Q'TY	SIZE
1	20901	O-RING	1	LH260ATV.12-5 79X4
2	20902	CUSHION PAD	2	LH260ATV.4-4
3	20903	SPACER-BEARING	1	LH260ATV.4-3
4	10042	O-RING	1	GB3452.1-35.5X3.55
5	20905	REAR AXLE	1	LH260ATV.7-1
6	20906	UP BOLT M10X1.25X57	1	LH260ATV.4-1
7	10015	NUT M10X1.25	2	GB/T6187-M10X1.25
8	20908	SHOCK ABSORBER REAR	1	LH260ATV.4.1
9	20909	DOWN BOLT M10X1.25X57	1	LH260ATV.4-2

9 WHEEL REAR



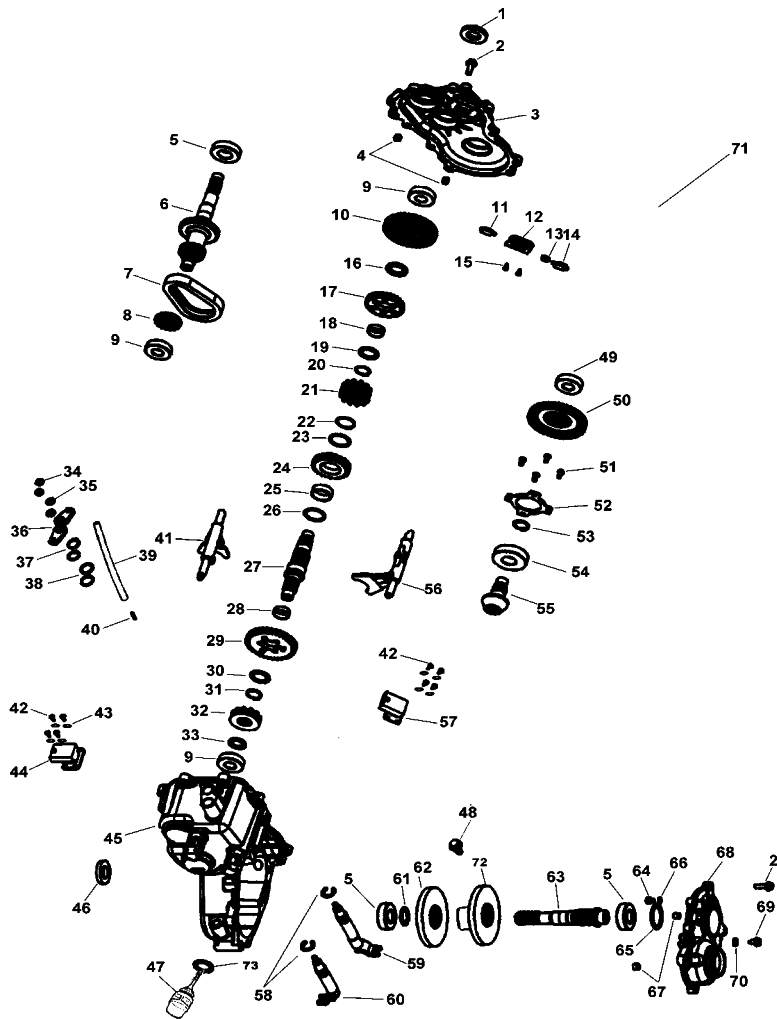
REF. No.	PART No.	DESCRIPTION	Q'TY	SIZE
1	10032	WASHER 12	8	GB/T97.1-12
2	10045	BOLT M12X30	8	GB/T5783-M12X30
3	21003	AXLE TUBE AND HITCH ASSEMBLY	1	LH260ATV.10.2.1
4	21004	RING RETAINER INT	1	LH260ATV.7-2
5	21005	SPACER	1	LH260ATV.7-3
6	10046	BEARING BALL DBL SEAL	2	GB/T278-6206-2Z
7	10047	RING RETAINER INT	1	GB893.2-62
8	31008	SPACER-BEARING	1	LH260ATV.10.2-1a
9	21009	SEAL REAR AXLE	2	LH260ATV.10.2.2 36.5X62X7
10	10048	BOLTS M10X1.25X20	3	GB/T5786-M10X1.25X20
11	10029	O-RING	1	GB3452.1-22.4X3.55
12	21012	HUB BRAKE DISC MACH	1	LH260ATV.7-4
13	10050	N UT M10X1.25	3	GB/T6173-M10X1.25
14	21014	AXLE CAP	2	LH260ATV.2-32
15	10051	COTTER PIN	2	GB/T91-4X36
16	10142	NUT SLOTTED M20X2	2	GB/T9459-M20X2
17	21017	WASHER	2	LH260ATV.7-6
18	21018	WHEEL HUB	2	LH260ATV.7-5
19	21019	LUG NUT M12X1.25	2	LH260ATV.7-7 M12X1.25
20	31020	TIRE REAR	2	LH260ATV.7.1.2a AT24X11-10
21	10053	WHEEL STUD M12X1.25X45	8	GB/T5786-M12X1.25X45
22	21022	WHEEL REAR	2	LH260ATV.7.1.1
23	10054	WASHER 12	8	GB/T93-12
24	31024	BRAKE HOSE COVER	1	LH260ATV.2-31a

10 REAR GEAR-BOX



REF. No.	PART No.	DESCRIPTION	Q'TY	SIZE	
1	10055	BOLT M8X45	2	GB5787-M8X45	
2	21102	SEAL 50X70X8	1	LH260ATV.12.1	50X70X8
3	21103	OUTPUT COVER	1	LH260ATV.12-2	
4	21104	DOWEL PIN	1	LH260ATV.17-17	
5	21105	O-RING 176X2.65	1	LH260ATV.12-8	176X2.65
6	21106	SHIM	1	LH260ATV.12-6	
7	21107	SHIM	1	LH260ATV.17-27	
8	21108	THRUST BUTTON	1	LH260ATV.12-4	
9	10056	BEARING 110	2	GB276-110	
10	21110	RING GEAR	1	LH260ATV.12-7	
11	21111	VENT	1	LH260ATV.12-14	
12	21112	BEARING	1	LH260ATV.12-13	
13	21113	DRIVE HOUSING	1	LH260ATV.12-1	
14	21114	OIL PLUG	2	LH260ATV.17-10	
15	21115	WASHER	2	LH260ATV.17-11	
16	21102	SEAL 50X70X8	1	LH260ATV.12.1	50X70X8
17	10057	BUSHING P23X20X15	1	GB12613-P23X20X15	
18	21118	PINION SHAFT	1	LH260ATV.12-9	
19	10058	BEARING 6306ST	1	GB/T296-6306ST	
20	21120	RETAINER 30	1	LH260ATV.12-11	
21	20901	O-RING 79X4	1	LH260ATV.12-5	79X4
22	21122	INPUT COVER	1	LH260ATV.12-3	
23	10059	BOLT M8X25	10	GB5787-M8X25	
24	21124	SEAL 25X35X5	1	LH260ATV.12.2	25X35X5
25	21125	REAR GEARBOX ASSY	1	LH260ATV.12	

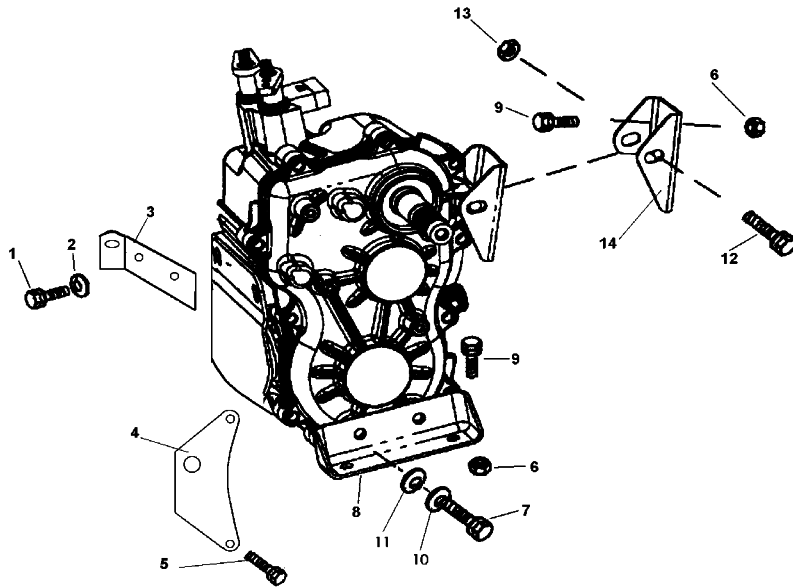
11 TRANSMISSION



REF. No.	PART No.	DESCRIPTION	Q'TY	SIZE
1	21201	SEAL 25X47X8	1	LH260ATV.17.6 25X47X8
2	10060	BOLT M8X28	17	GB/T5787-M8X28
3	21203	MAIN COVER	1	LH260ATV.17-6
4	21104	DOWEL PIN	2	LH260ATV.17-17
5	10061	BEARING 6205c3	3	GB/T276-6205C3
6	21206	INPUT SHAFT	1	LH260ATV.17.1-14
7	21207	CHAIN	1	LH260ATV.17.1.3
8	21208	GEAR 16T	1	LH260ATV.17.1-12
9	10062	BEARING 6204	3	GB/T276-6204
10	21210	GEAR,HELICAL 35T	1	LH260ATV.17.1-2
11	21211	INTERLOCK PIN	2	LH260ATV.17-2
12	21212	INTERLOCK BRACKET	1	LH260ATV.17-4
13	21213	SPRING	1	LH260ATV.17-3
14	21211	INTERLOCK PIN	1	LH260ATV.17-2
15	10001	SCREW M5X12	2	GB/T818-M5X12
16	21216	SPACER	1	LH260ATV.17.1-3 25.5A
17	21217	GEAR 31T	1	LH260ATV.17.1-4
18	21218	NEEDLE BEARING 25	1	LH260ATV.17.1.1 25X29X10
19	21219	THRUST WASHER	1	LH260ATV.17.1-5 25.5B
20	10064	SNAP RING	1	GB/T894.1-25
21	21221	DOG GEAR	1	LH260ATV.17.1-6
22	10065	SNAP RING	1	GB/T894.1-32
23	21223	THRUST WASHER	1	LH260ATV.17.1-7 32.5

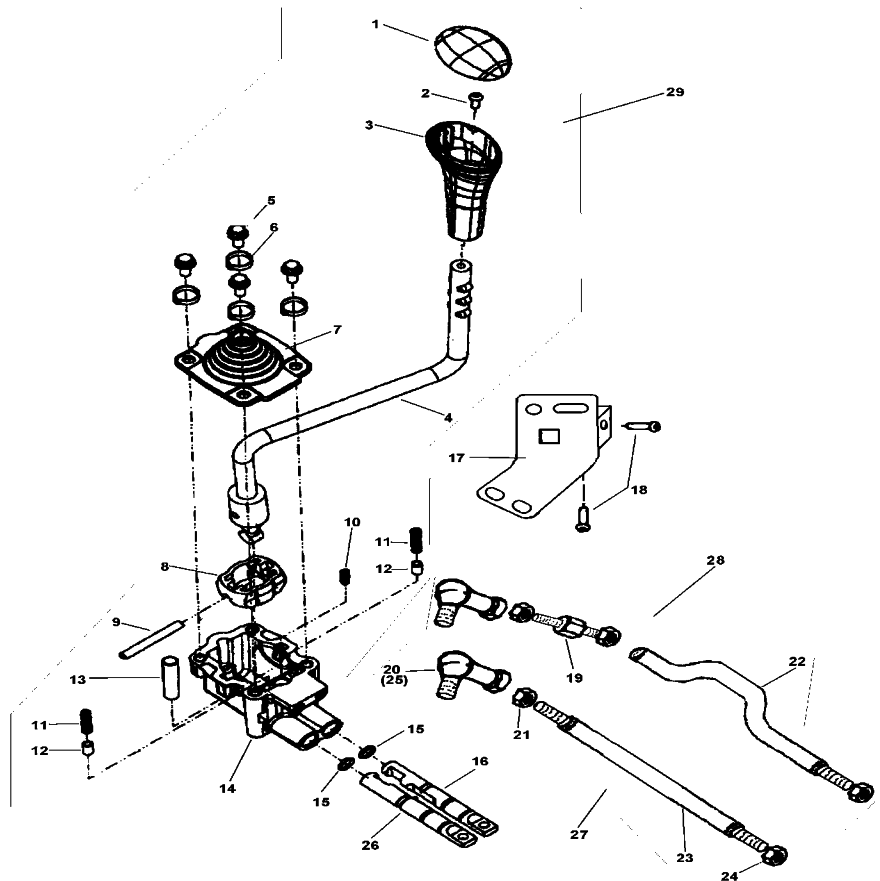
24	21224	SPROCKET 24T	1	LH260ATV.17.1-8	
25	21225	NEEDLE BEARING 25	1	LH260ATV.17.1.2	
26	21223	THRUST WASHER	1	LH260ATV.17.1-7	32.5
27	21327	SHAFT	1	LH260ATV.17.1-1	
28	21218	NEEDLE BEARING 25	1	LH260ATV.17.1.1	25X29X10
29	21329	GEAR 35T	1	LH260ATV.17.1-9	
30	21223	THRUST WASHER	1	LH260ATV.17.1-7	32.5
31	10064	SNAP RING	1	GB/T894.1-25	
32	21332	ENGAGEMENT	1	LH260ATV.17.1-10	
33	21333	THRST WASHER	1	LH260ATV.17.1-11	
34	10067	NUT M8	2	GB/T6184-M8	
35	10068	WASHER 8	2	GB/T97.1-8	
36	21336	BELLCRANK	2	LH260ATV.17-8	
37	10069	SNAP RING	2	GB/T894.1-19	
38	21338	WASHER	2	LH260ATV.17-9	
39	21339	VENT TUBE	1	LH260ATV.17-7	
40	21340	VENT TUBE FITTING	1	LH260ATV.17.2-1	
41	21341	SHIFT FORK HIGH/REVERSE	1	LH260ATV.17-1	
42	10007	SCREW M4	8	GB/T818-M4	
43	10071	WASHER 4	8	GB/T97.1-4	
44	21344	GEAR INDICATOR SWITCH	1	LH260ATV.19.10	
45	21345a	GEARCASE,RH	1	LH260ATV.17a.2	
46	21201	SEAL 25X47X8	1	LH260ATV.17.6	25X47X8
47	21475	DIPSTICK	1	153FM.16-5	
48	21476	SCREW	1	GB/T71	M4X6
49	10063	BEARING 6204C3	1	GB/T276-6204C3	
50	21350	GEAR HELICAL 46T	1	LH260ATV.17-16	
51	10073	SCREW M6X10	4	GB/T67-M6X10	
52	21351	BEARING RETAINER PLATE	1	LH260ATV.17-15	
53	21453	SNAP RING	1	LH260ATV.17-14	
54	10074	BEARING 6305ST	1	GB/T276-6305ST	
55	21455	PINION SHAFT 10T	1	LH260ATV.17-13	
56	21456	SHIFT FORK LOW	1	LH260ATV.17-5	
57	21457	GEAR INDICATOR SWITCH	1	LH260ATV.19.11	
58	10075	SNAP RING	2	GB/T896-15	
59	21459	SHIFT ROD LOW	1	LH260ATV.17.4	
60	21460	SHIFT ROD HIGH/REVERSE	1	LH260ATV.17.3	
61	21461	THRUST WASHER	1	LH260ATV.17-20	
62	21462	GEAR	1	LH260ATV.17-18	
63	21463	SHAFT REAR OUTPUT	1	LH260ATV.17-19	
64	21464	THRUST BUTTON	1	LH260ATV.17-23	
65	21465	SHIM 1	1	LH260ATV.17-22	
66	21466	SHIM 2	1	LH260ATV.17-24	
67	21104	DOWEL PIN	1	LH260ATV.17-17	
68	21468	COVER	1	LH260ATV.17-21	
69	21469	DRAIN SCREW	1	LH260ATV.17.5	
70	21470	WASHER	1	LH260ATV.17-12	
71	21471a	TRANSMISSION ASSY	1	LH260ATV.17a	
72	21473	OIL PLATE	1	LH260ATV.17-26	
73	21474	O RING 18X2.65	1	GB3452.1-82	18X2.65

12 SUPPORT BRACKET



REF. No.	PART No.	DESCRIPTION	Q'TY	SIZE
1	10076	BOLT M12X20	2	GB/T70.1-M12X20
2	10054	WASHER 12	2	GB/T93-12
3	21503	TRANSMISSION MOUNTING BRACKET RIGHT	1	LH260ATV.20.5
4	21504	TRANSMISSION MOUNTING BRACKET LEFT	1	LH260ATV.20.4
5	10078	BOLT M8X30	3	GB/T5787-M8X30
6	10079	NUT M8	3	GB/T6187-M8
7	10028	BOLT M10X25	2	GB/T5783-M10X25
8	21508	TRANSMISSION MOUNTING BRACKET BOTTOM	1	LH260ATV.1-7
9	10081	BOLT M8X20	3	GB/T5787-M8X20
10	10027	WASHER10	2	GB/T93-10
11	10019	WASHER	2	GB/T97.1-10
12	10084	BOLTM10X1.25X70	1	GB/T5785-M10X1.25X70
13	10015	NUT M10	1	GB/T6187-M10X1.25
14	21514	TRANSMISSION MOUNTING BRACKET REAR	1	LH260ATV.1-8

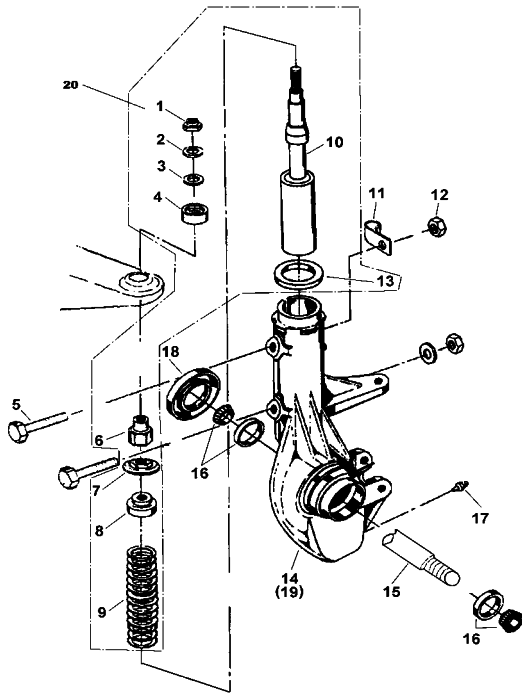
13 SHIFT ROD



REF. No.	PART No.	DESCRIPTION	Q'TY	SIZE
1	21601	CAP	1	LH260ATV.18.1-1
2	10086	SCREW M6X12	1	GB818-M6X12
3	21603	KNOB	1	LH260ATV.18.1-2
4	21604	SHIFT LEVER	1	LH260ATV.18.1-3
5	10086	SCREW M6X12	4	GB818-M6X12
6	10006	WASHER 6	4	GB97.1-6
7	21607	BOOT	1	LH260ATV.18.1-4
8	21608	PLASTIC SPHERE	1	LH260ATV.18.1-5
9	21609	GROOVE PIN	1	LH260ATV.18.1-6
10	21610	CENTERING SPRING	1	LH260ATV.18.1-7
11	21611	DETENT SPRING	2	LH260ATV.18.1-8
12	21612	DETENT BULLET	2	LH260ATV.18.1-9
13	21613	DOWEL PIN	1	LH260ATV.18.1-10
14	21614	SHIFFER HOUSING	1	LH260ATV.18.1-11
15	21615	O-RING	2	LH260ATV.18.1-12
16	21616	SELECTOR SLIDES HIGH/REVERSE	1	LH260ATV.18.1-13
17	21617	SHIFTER MOUNTING BRACKET	1	LH260ATV.1.13
18	10010	BOLT M6X15	4	GB/T5787-M6X15
19	21619	SHIFT ROD COUPLER	1	LH260ATV.18.3-1
20	21620	SHIFT ROD END CW	2	LH260ATV.18.2.1
21	10090	JAM NUT M6 CW	3	GB/T6170-M6
22	21622	SHIFT ROD HIGH/REVERSE	1	LH260ATV.18.3-2
23	21623	SHIFT ROD LOW	1	LH260ATV.18.2-1
24	21624	JAM NUT M6 CCW	2	LH260ATV.18.2-2
25	21625	SHIFT ROD END CCW	2	LH260ATV.18.2.2
26	21626	SELECTOR SLIDES LOW	1	LH260ATV.18.1-14

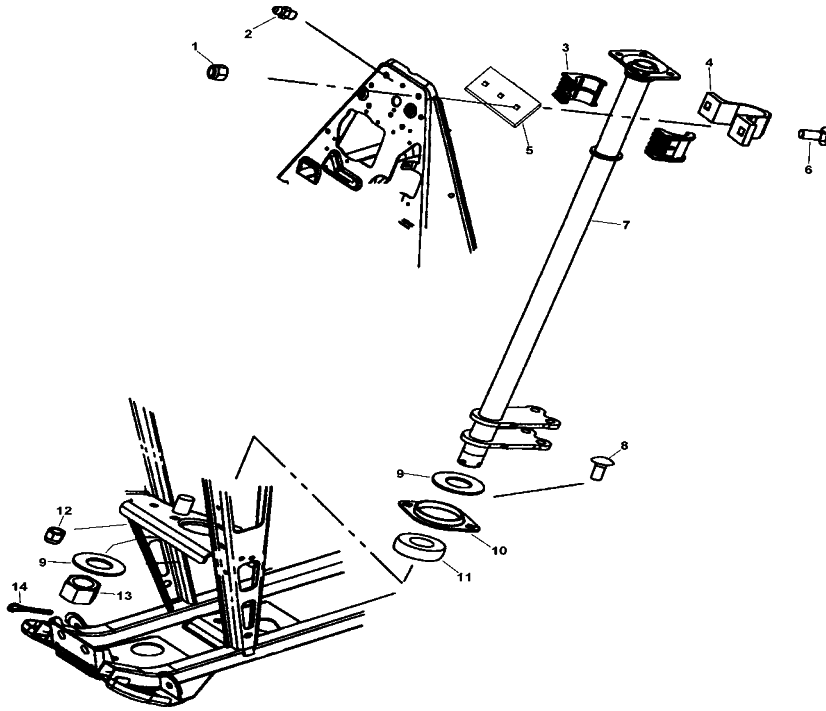
27	21727	SHIFTER MOUNTING ROD A	1	LH260ATV.18.2
28	21728	SHIFTER MOUNTING ROD B	1	LH260ATV.18.3
29	21729a	SHIFTER ASSY MOUNTING	1	LH260ATV.18.1a

14 SHOCK ABSORBER FRONT



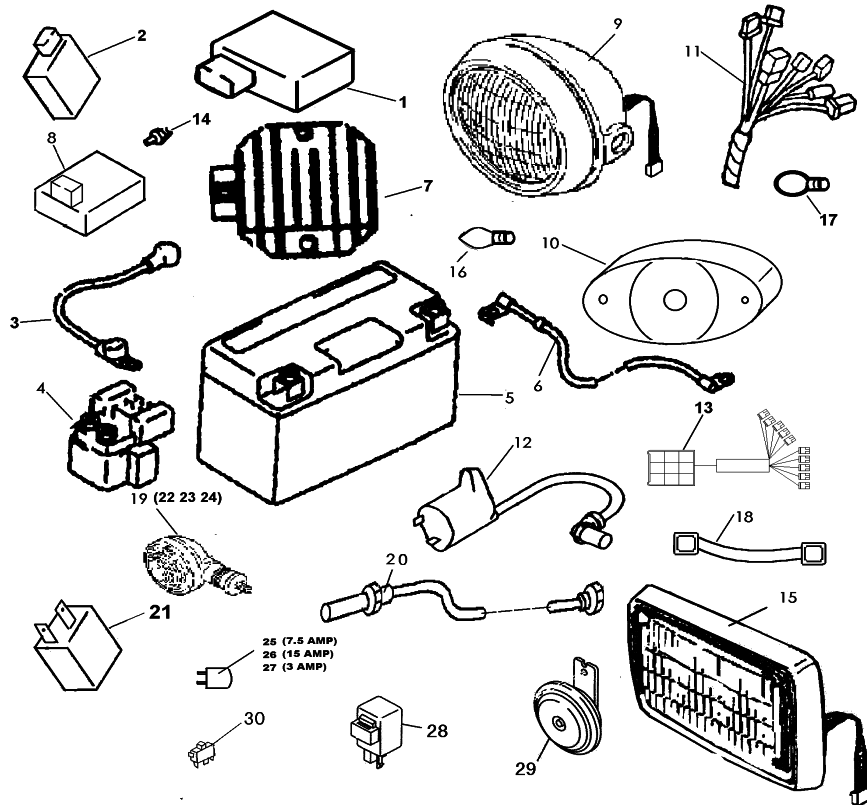
REF. No.	PART No.	DESCRIPTION	Q'TY	SIZE	
1	10091	NUT M14X1.5	2	GB/T6184-M14X1.5	
2	10092	WASHER 14	2	LH260ATV.3.1-1	
3	21803	SPACER RUBBER	2	LH260ATV.3.1-2	
4	21804	UPPER PIVOT BALL	2	LH260ATV.3.1-3	
5	10093	BOLT M8X55	4	GB/T5782-M8X55	
6	21806	NUT M14X1.5	2	LH260ATV.3.1-6	M14X1.5
7	21807	LOWER PIVOT BALL	2	LH260ATV.3.1-4	
8	21808	SPRING RETAINER	2	LH260ATV.3.1-5	
9	21809	SPRING	2	LH260ATV.3.1-7	
10	21810	STRUT BUMPER	2	LH260ATV.3.1.1	
11	21811	CLAMP	2	LH260ATV.5.1-3	
12	10079	NUT M8	4	GB/T6187-M8	
13	21813	SPRING RETAINER	2	LH260ATV.3.1-9	
14	21814	STRUT BODY LEFT	1	LH260ATV.3.2.1	
15	21815	SPINDLE BOLT	2	LH260ATV.6-5	
16	10095	BEARING	4	GB297-320/28 4CC	
17	10026	GREASE FITTING	2	JB/T7940.1-M6	
18	21818	SEAL SLEEVE	2	LH260ATV.3.2.3	60.5X73.2X8
19	21819	STRUT BODY RIGHT	1	LH260ATV.3.2.2	
20	21820	FRONT SHOCK ABSORBER	2	LH260ATV.3.1	

15 STEERING COLUMN



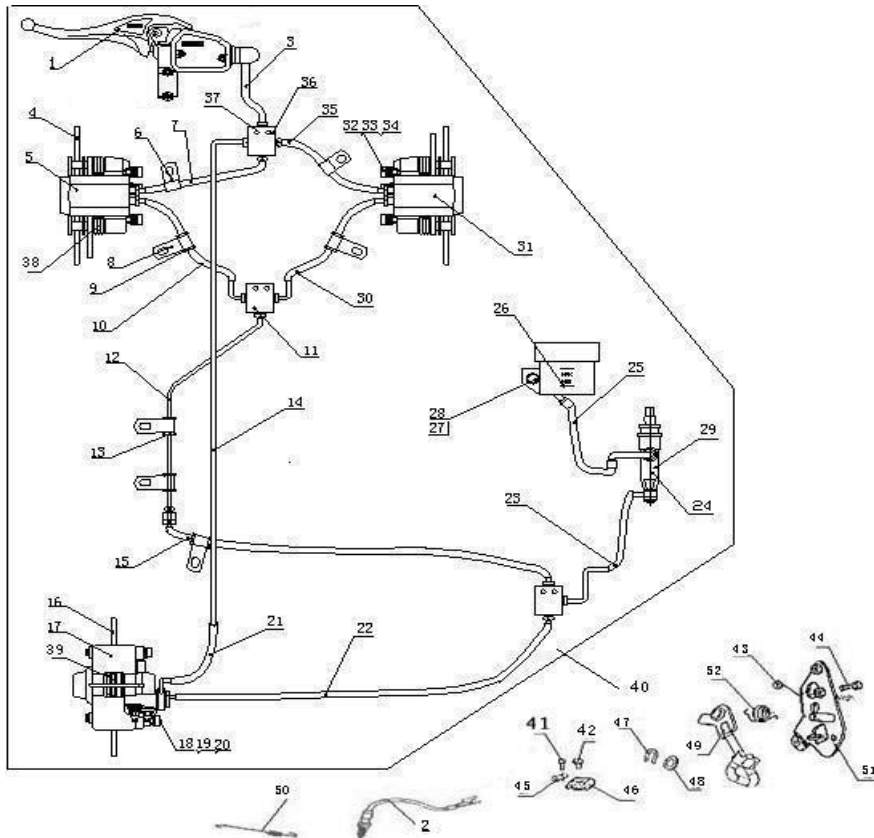
REF. No.	PART No.	DESCRIPTION	Q'TY	SIZE
1	10079	NUT M8	2	GB/T6187-M8
2	10026	GREASE FITTING	1	JB/T7940.1-M6
3	21903	BUSHING	2	LH260ATV.1.7-2
4	21904	STEERING CLAMP REAR	1	LH260ATV.1.7-1
5	21905	STEERING CLAMP FRONT	1	LH260ATV.1.7-6
6	21906	BOLT	2	LH260ATV.1.7-3
7	31907a	STEERING COLUMN	1	LH260ATV.1.7.1e
8	21906	BOLT	2	LH260ATV.1.7-3
9	21909	WASHER	2	LH260ATV.1.7-5
10	21910	BEARING RETAINER	1	LH260ATV.1.7-4
11	21911	BEARING	1	
12	10079	NUT M8	2	GB/T6187-M8
13	10100	STEERING COLUMN RETAINER NUT	1	GB/T9459-M24X2
14	10101	COTTER PIN	1	GB/T91-5X40

16 ELECTRICAL SYSTEM



REF. No.	PART No.	DESCRIPTION	Q'TY	SIZE
1	22001	CDI	1	170M.6.3a
2	22002	REVERSE SPEED LIMITER	1	LH260ATV.19.8
3	32003	BATTERY CABLE POSITIVE	1	LH260ATV.19.2a-1
4	22004	STARTER RELAY	1	LH250T.7.3
5	22005	BATTERY	1	LH260ATV.19.1
6	32006	BATTERY CABLE GROUND	1	LH260ATV.19.2a-2
7	22007	REGULATOR RECTIFIER	1	LH250T.7.4
8	22008	WARNING BUZZER	1	LH260ATV.19.7
9	32009	HEADLIGHT ASSEMBLY	2	LH260ATV.19.4B
10	22010	TAIL LIGHT	1	LH260ATV.19.5
11	32011	WIRING HARNESS	1	LH260ATV.19.2B
12	22012	IGNITION COIL AND WIRE	1	170M.6.2
13	32013	INDIATOR LIGHT	1	LH260ATV.19.14a
14	22014	ENGINE TEMPERTURE SENSOR	1	170M.1.4
15	32009a	HEADLIGHT ASSEMBLY	2	LH260ATV.19.4B
16	32016	HEAD LIGHT BULB ONLY	2	LH260ATV.19.4B-1
17	22017	TAIL LIGHT BULB ONLY	1	LH260ATV.19.5-1
18	22018	BATTERY BELL	1	LH260ATV.2-17
19	32019	FRONT TURN INDICATOR RIGHT	1	LH260ATV.19(B)-1
20	32020	GEAR SENSOR	1	LH260ATV.19.16
21	32021	CAPCITOR	1	LH260ATV.19.17
22	32022	FRONT TURN INDICATOR LEFT	1	LH260ATV.19(B)-2
23	32023	REAR TURN INDICATOR RIGHT	1	LH260ATV.19(B)-3
24	32024	REAR TURN INDICATOR LEFT	1	LH260ATV.19(B)-4
25	22019	7.5 AMP FUSE	1	
26	22020	15 AMP FUSE	2	
27	22021	3 AMP FUSE	1	
28	32028	FLASHER RELAY ASSY	1	LYM100T.12.12
29	32029	HORN	1	LYM100T.12.9
30	32030	HAZARD LIGHT SWITCH	1	LH260ATV.19.12(B)

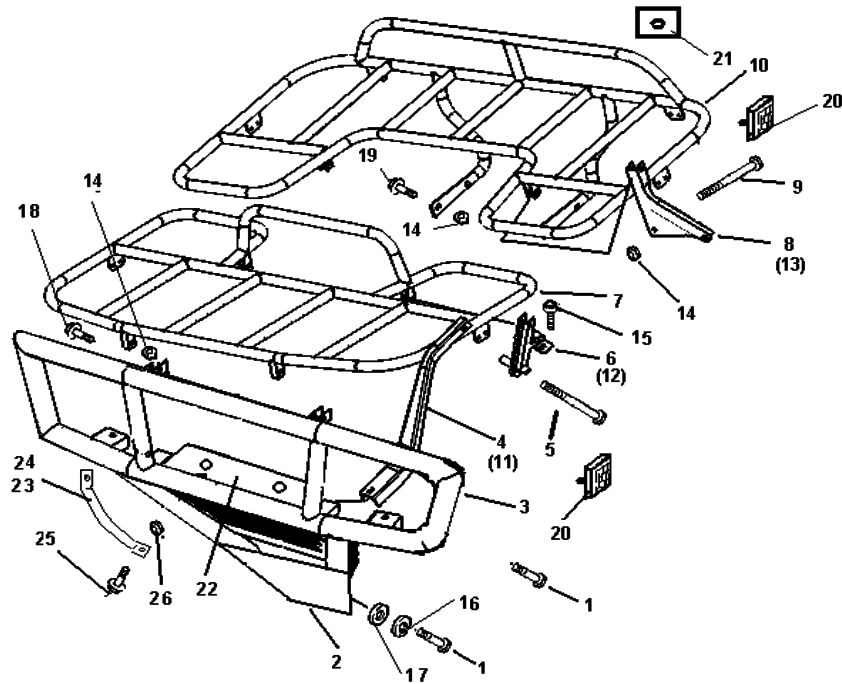
17 BREAKING SYSTEM



REF. No.	PART No.	DESCRIPTION	Q'TY	SIZE	
1	22101	MASTER CYLINDER WITH BRAKE LEVER	1	LH260ATV.5.1-3	
2	22243	STORP SWITCH FRONT	1	LH260ATV.5.1.14	
3	22102	HAND BRAKE HOSE	1	LH260ATV.5.1.3	
4	22226	FRONT BRAKE DISC	2	LH260ATV.5.1-1	
5	32205a	BRAKE CALIPER LEFT	1	LH260ATV.5.1b.1	
6	22248	CLAMP	2	LH260ATV.5.1.1	
7	22229	FRONT BRAKE HOSE 2	1	LH260ATV.5.1.12	
8	32104	CLAMP	5	LH260ATV.5.1a.-1	
9	32105	RUBBER TUBE1	3	LH260ATV.5.1a.-2	
10	32103	FRONT BRAKE HOSE1	1	LH260ATV.5.1a.1	
11	32107	BRAKE LINE COUPLER	2	LH260ATV.5.1a-4	
12	32108	TUB DISKBRAKE FRONT	1	LH260ATV.5.1a.2	
13	32109	RUBBER TUBE2	2	LH260ATV.5.1a-3	
14	22103	REAR BRAKE HOSE	1	LH260ATV.5.1.4	
15	32114	FRONT BRAKE HOSE	1	LH260ATV.5.1a.6	
16	22247	REAR DISC BRAKE	1	LH260ATV.5.1-2	
17	22105	REAR BRAKE CALIPER	1	LH260ATV.5.1.5	
18	10102	BOLT M10X1.25X83	2	GB/T5787-M6X20	M10X1.25X83
19	10015	NUT M10X1.25	2	GB/T6187	M10X1.25
20	10019	WASHER 10	2	GB/T97.1	
21	32120	REAR BRAKE HOSE 2	1	LH260ATV.5.1a.7	
22	32121	REAR BRAKE HOSE 3	1	LH260ATV.5.1a.8	
23	32122	FOOT BRAKE HOSE	1	LH260ATV.5.1a.9	
24	32123	REAR BRAKE CYLINDER	1	LH260ATV.5.1a.10	
25	32125	RESERVOIR HOSE	1	LH260ATV.5.1a.11	
26	32226a	RESERVOIR	1	LH260ATV.5.1b.3	
27	10109	NUTM5	1	GB/T6187	

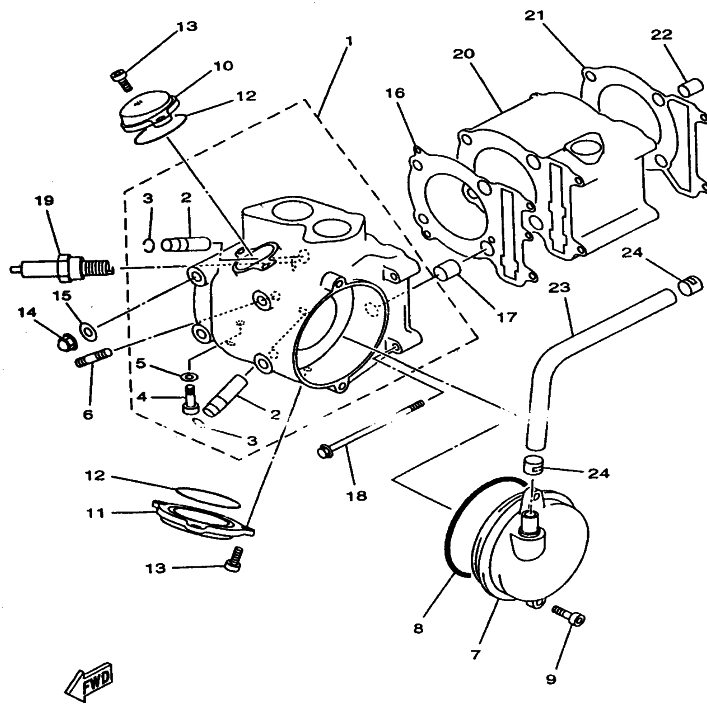
28	10108	BOLT M5X12	1	GB/T5787	M5X12
29	10110	BOLT M6X20	2	GB/T5787	M6X20
30	32233	FRONT BRAKE HOSE2	1	LH260ATV.5.1a.12	
31	32231a	BRAKE CALIPER RIGHT	1	LH260ATV.5.1b.2	
32	10105	BOLT M8X25	4	GB/T5782-M8X25	
33	10106	WASHER 8	4	GB/T93-8	
34	10068	WASHER 8	4	GB/T97.1-8	
35	22228	FRONT BRAKEHOSE 1	1	LH260ATV.5.1.11	
36	22230	BRAKE LINECOUPLER	1	LH260ATV.5.1-6	
37	10111	SCREW M5X15	6	GB/T818	M5X15
38	22245	FRONT BRAKE PADS SET OF	2	LH260ATV.5.1.10.1	
39	22111	REAR BRAKE PADS SET OF	1	LH260ATV.5.1.5.1	
40	32240a	BRAKE ASSY	1	LH260ATV.5.1b	
41	10113	BOLT M5X8	1	GB/T818-M5X8	
42	10113	BOLT M5X8	6	GB/T818-M5X8	
43	10004	NUT M6	2	GB/T6187-M6	
44	10110	BOLT M6X20	3	GB/T5787-M6X20	
45	22235	BRAKE LINE CLAMP SMALL	1	LH260ATV.2-25	
46	22236	BRAKE LINE CLAMP LARGE	3	LH260ATV.2-24	
47	10115	RETAINER	1	GB/T894.1-14	
48	22238	WASHER	1	LH260ATV.1.14-2	
49	32241	BRAKE PEDAL	1	LH260ATV.1.14a.2	
50	32246	SPRING STOP SWITCH	1	LH260ATV.19 B -1	
51	32243	FOOT BRAKE MOUNTING PLATE	1	LH260ATV.1.14a.1	
52	22242	RETURN SPRING	1	LH260ATV.1.14-1	

18 BUMPER RACK



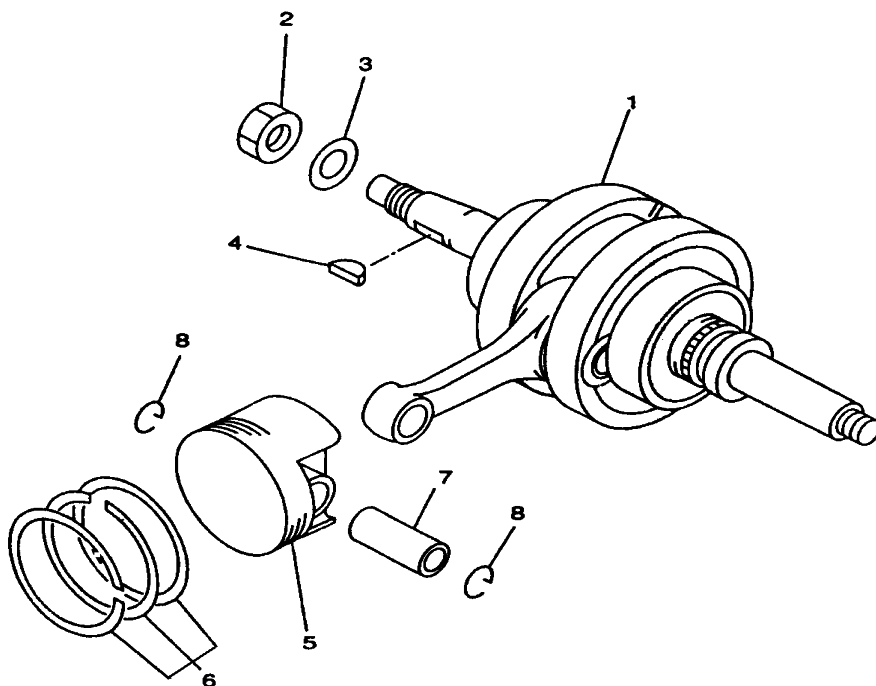
REF. No.	PART No.	DESCRIPTION	Q'TY	SIZE
1	10081	BOLT M8X20	8	GB/T5787-M8X20
2	22302	CONNECTIVE	1	LH260ATV.1-3
3	32303	BUMPER	1	LH260ATV.1.4b
4	22304	TRESTLE 1 LEFT	1	LH260ATV.1-4
5	10118	BOLT M8X95	2	GB/T5787-M8X95
6	22306	TRESTLE 2 LEFT	1	LH260ATV.1.2
7	32307	FRONT FRAME	1	LH260ATV.1.5e
8	22308	TRESTLE 3 LEFT	1	LH260ATV.1.9
9	10119	BOLT M8X72	4	GB/T5787-M8X68
10	32310	REAR FRAME	1	LH260ATV.1.11e
11	22311	TRESTLE 1 RIGHT	1	LH260ATV.1-5
12	22312	TRESTLE 2 RIGHT	1	LH260ATV.1.3
13	22313	TRESTLE 3 RIGHT	1	LH260ATV.1.10
14	10079	NUT M8	4	GB/T6187-M8
15	10010	BOLT M6X15	4	GB/T5787-M6X15
16	10106	WASHER	2	GB/T93-8
17	10068	WASHER	2	GB/T97.1-8
18	10124	BOLTM8X35	6	GB/T5787-M8X35
19	10055	BOLTM8X45	4	GB/5787-M8X45
20	22320	FRONT REFLECTOR	4	LH260ATV.2.4
21	22321	REAR REFLECTOR	2	LH250T.2.3
22	22322	CONNECTION BRACKET	1	LH260ATV.1-17
23	22325	RIGHT PROTECT POLE	1	LH260ATV.1.4-9
24	22326	LEFT PROTECT POLE	1	LH260ATV.1.4-8
25	10141	BOLT M8X25	4	GB/T6674-M8X25
26	10067	NUT M8	4	GB/T6184-M8

19 CYLINDER



REF. No.	PART NO.	DESCRIPTION	Q'TY	SIZE	
1	22401a	CYLINDER HEAD ASSY	1	170M.1.1	
2	22402	GUIDE INTAKE VALVE	2	170M.1.1-2	
3	10112	CIRCLIP 12	2	GB895.2-12	
4	10128	BOLT M6X12	1	GB5783-M6X12	
5	22405	GASKET 6	1	170M.1.10	
6	10014	BOLT STUD M8X25	2	GB898-M8X25	
7	22407	BREATHER ASSY	1	170M.1.2.1	
8	22408	O-RING 95X3.3	1	170M.1.2-5	95X3.3
9	10008	BOLT SOCKET HEAD M6X20	2	GB70-M6X20	
10	22410	VALVE COVER INTAKE SIDE	1	170M.1-1	
11	22411	VALVE COVER EXHAUST SIDE	1	170M.1-3	
12	22412	O-RING 57.5X2.3	2	170M.1-2	57.5X2.3
13	10008	BOLT SOCKET HEAD M6X20	5	GB70-M6X20	M6X20
14	22414	NUT CROWN M8	4	170M.4-1	
15	22415	WASHER PLATE 8	4	170M.4-2	
16	22416	GASKET CYLINDER HEAD1	1	170M.1.3	
17	22417	PIN DOWEL 14X16	2	170M.1-6	14X16
18	22418	BOLT FLANGE M6X120	2	170M.4-4	M6X120
19	22419	PLUG SPARK(NGK DR8EA)	1	170M.1.5	DR8EA
20	22420	CYLINDER	1	170M.1-5	
21	22421	GASKET CYLINDER	1	170M.1-4	
22	22422	PIN DOWEL 10X14	2	1E52FM010011	10X14
23	22423	PIPE BREATHER1	1	170M.1.2-4	
24	22424	CLIP 12MM	2	170M.1.2-3	

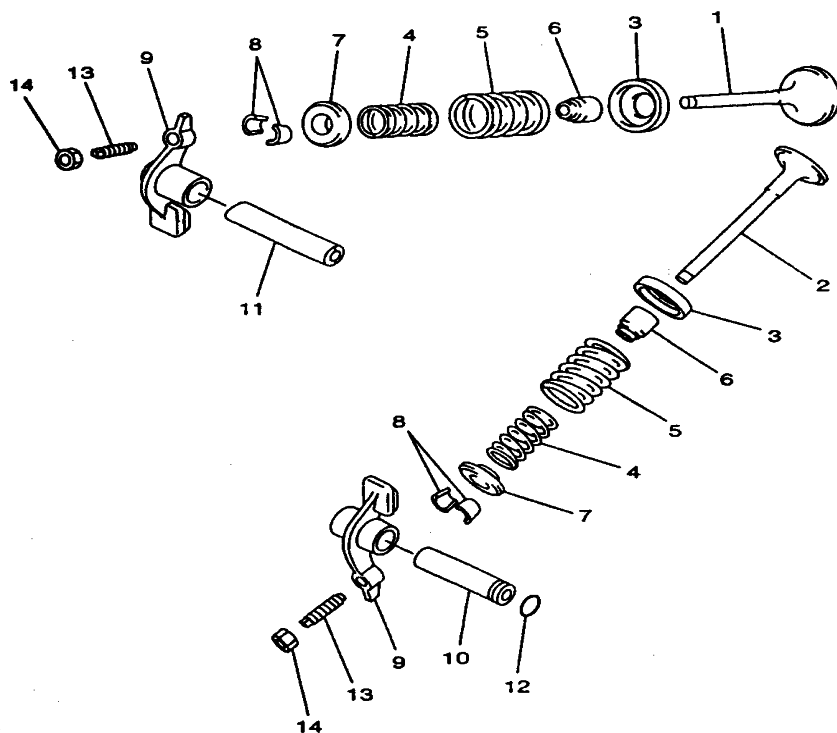
20 CRANKSHAFT COMP



REF. No.	PART NO.	DESCRIPTION	Q'TY	SIZE
1	22501	CRANKSHAFT ASSY	1	170M-A.3.2
2	22502	NUT M16X1	1	170M.3-1
3	22503	WASHER PLATE 16	1	170M.3-2
4	22504	KEY WOODRUFF	1	170M.3-3
5	22505	PISTON	1	170M.3-6
6	22506	PISTON RING SET	1	170M.3-7/170M.3-8/170M.3.1
7	22507	PISTON PIN	1	170M.3-5
8	22508	CLIP	2	170M.3-4

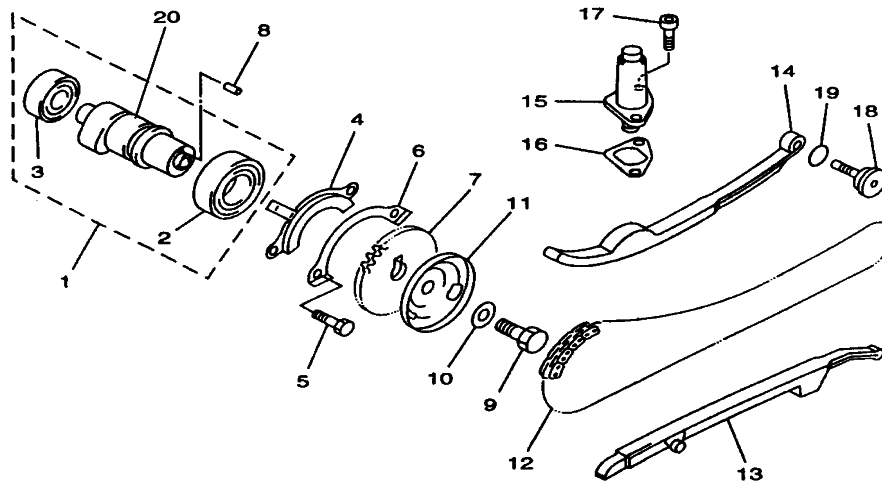
M16X1

21 VALVE



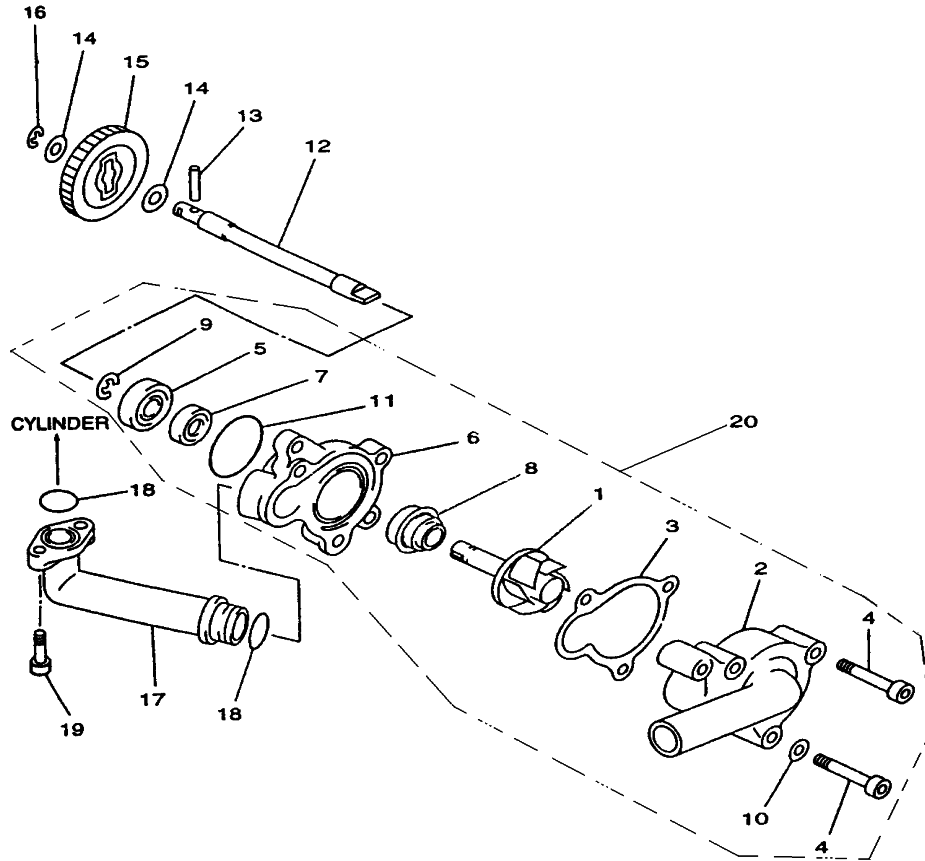
REF. No.	PART NO.	DESCRIPTION	Q'TY	SIZE	
1	22601	INTAKE VALVE	1	170M.12-11	
2	22602	EXHAUST VALVE	1	170M.12-3	
3	22603	SEAT SPRING VALVE	2	170M.12-12	
4	22604	SPRING VALVE INNER	2	170M.12-10	
5	22605	SPRING VALVE OUTER	2	170M.12-9	
6	22606	SEAL VALVE STEM	2	170M.12.1	
7	22607	RETAINER SPRING VALVE	2	170M.12-5	
8	22608	COTTER VALVE	4	170M.12-4	
9	22609	ROCKER ARM VALVE	2	170M.12.2	
10	22610	EXHAUST ROCKER SHAFT	1	170M.12-6	
11	22611	INTAKE ROCKER SHAFT	1	170M.12-8	
12	22612	O-RING 9X2	1	170M.12-7	9X2
13	22613	ADJUSTING SCREW VALVE	2	170M.12-2	
14	22614	NUT M6X0.75	2	170M.12-1	M6X0.75

22 CAMSHAFT CHAIN



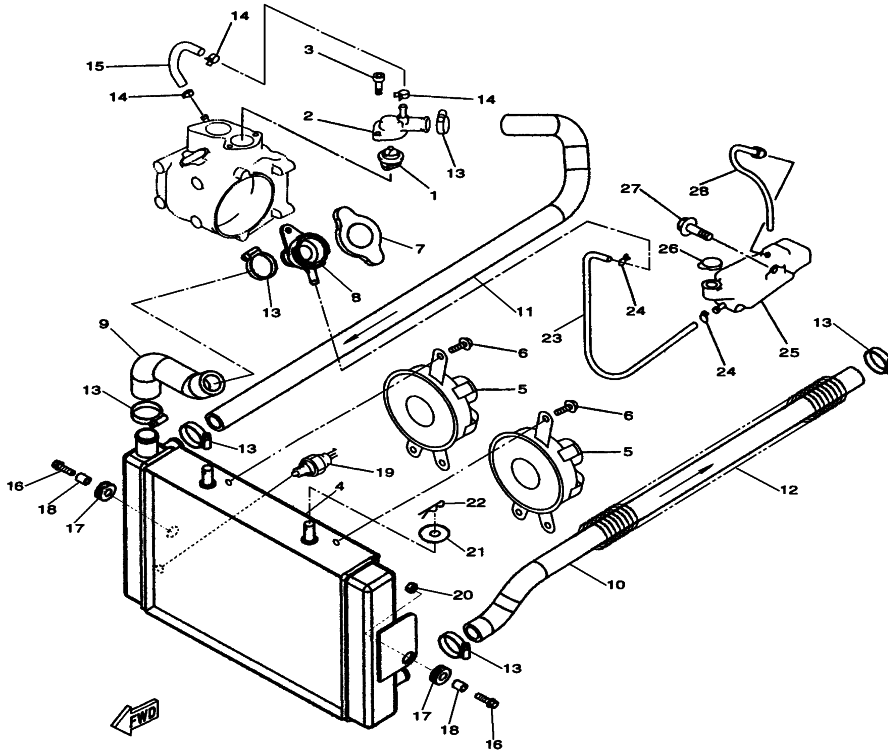
REF. No.	PART NO.	DESCRIPTION	Q'TY	SIZE	
1	22701	CAMSHAFT ASSY1	1	170M.2	
2	10012	BEARING	1	GB276-105/P5	
3	10013	BEARING(B6202Z)	1	GB278-60202/P5	
4	22704	PLATE	1	170M.2-3	
5	10128	BOLT M6X12	2	GB8573-M6X12	
6	22706	LOCK WASHER	1	170M.2-2	
7	22707	CAM CHAIN SPROCKET	1	170M.2-4	
8	10024	DOWEL PIN B4X10	1	GB119-B4X10	
9	10025	BOLT M10X1.25X25	1	GB5786-M10X1.25X25	
10	22710	WASHER PLATE 10	1	170M.2-6	
11	22711	BREATHER PLATE2	1	170M.2-5	
12	22712	CHAIN	1	170M.14.2	
13	22713	GUIDE STOPPER1	1	170M.14.4	
14	22714	GUIDE STOPPER2	1	170M.14.3	
15	22715	CAM CHAIN TENSIONER ASSY	1	170M.14.1	
16	22716	GASKET TENSIONER CASE	1	170M.14-1	
17	10036	SOCKET HEAD BOLT M6X14	2	GB70-M6X14	
18	22718	CHAIN TENSIONER PIVOT BOLT	1	170M.14-2	
19	22719	O-RING 14.5X1.8	1	170M.14-3	14.5X1.8
20	22720	CAMSHAFT	1	170M.14-3	

23 WATER PUMP



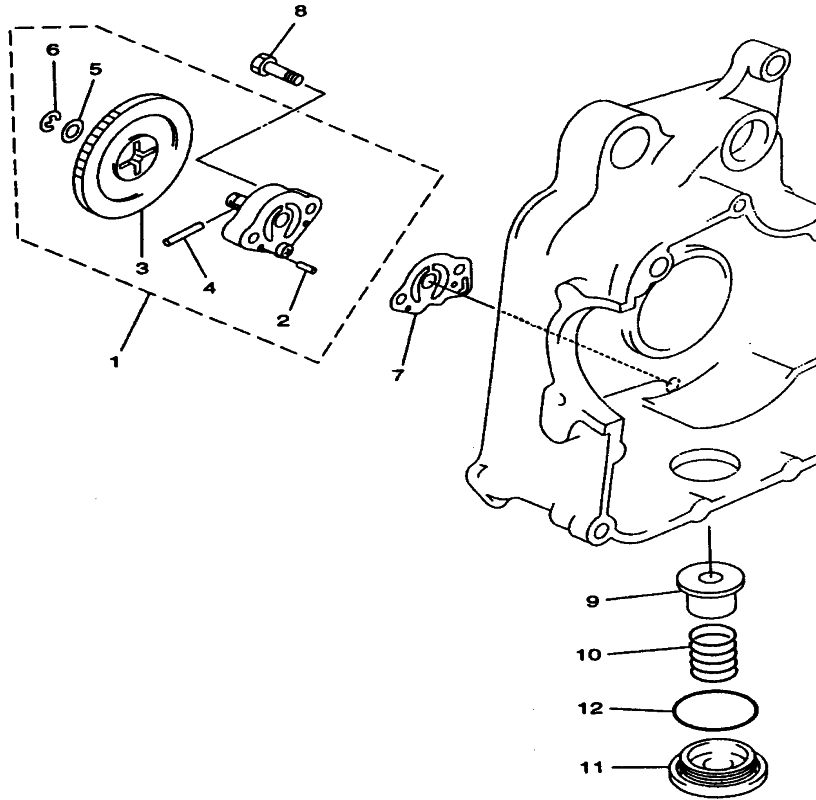
REF. No.	PART NO.	DESCRIPTION	Q'TY	SIZE	
1	22801	IMPELLER SHAFT ASSY	1	170M.15.4	
2	22802	HOUSING COVER	1	170M.15-2	
3	22803	GASKET HOUSING COVER2	1	170M.15-5	
4	10041	SOCKET HEAD BOLT M6X35	3	GB70-M6X35	
5	10043	BEARING	1	GB276-E110	
6	22806	WATER PUMP HOUSING	1	170M.15-3	
7	22807	OIL SEAL 10X21X5	1	170M.15.1	10X21X5
8	22808	MECHANICAL SEAL	1	170M.15.2	
9	10044	CIRCLIP 10	1	GB894.1-10	
10	22810	GASKET 6	1	170M.1-9	
11	10049	O-RING 33.5X2.65	1	GB3452.1-33.5X2.65	
12	22812	SHAFT	1	170M.15-1	
13	10070	DOWEL PIN C3X22	1	GB119-C3X22	
14	22814	WASHER PLATE 8	2	170M.8-6	
15	22815	IMPELLER SHAFT GEAR	1	170M.15-4	
16	10072	CIRCLIP 8	1	GB894.1-8	
17	22817	JOINT	1	170M.15.3.1	
18	10082	O-RING 15.5X2.5	2	GB3452.1-15.5X2.5	
19	10083	SOCKET HEAD BOLT M6X15	2	GB70-M6X15	
20	22820	WATER PUMP ASSY	1	170M.15	

24 RADIATOR



REF. No.	PART NO.	DESCRIPTION	Q'TY	SIZE	
1	22901	THERMOSTAT	1	170M.11.7.2	
2	22902	THERMOSTAT COVER	1	170M.11.7.1	
3	10085	SOCKET HEAD BOLT M6X25	2	GB70-M6X25	
4	22904a	RADIATOR ASSY (THICKER)	1	170M-A.11.3b	
5	22905	BLOWER ASSY	2	170M-A.11.2	
6	10087	FLANGE BOLT M6X9	6	GB5787-M6X9	
7	22907	RADIATOR CAP	1	170M.11.1.1	
8	22908	RADIATOR FILLER NECK	1	170M.11.1-1	
9	22909	RADIATOR FILLER HOSE	1	170M-A.11-2a	
10	22910	RETURN HOSE	1	170M-A.11-11	
11	22911	FEED HOSE	1	170M-A.11-10	
12	22912	COMPRESSION SPRING	2	170M.11	
13	22913	HOSE CLAMP1	6	170.M.11.9	14/32
14	22914	HOSE CLAMP2	2	170M.1-7	
15	22915	HOSE1	1	170M.1-8	
16	10110	BOLT M6X20	2	GB/T5787-M6X20	
17	22917	RADIATOR SIDE SUPT GROMMET	2	170M.11-5	
18	22918	COLLAR	2	170M.11-6	
19	22919	THERMOSTAT SWITCH ASSY	1	170M.11.4	
20	10004	NUT M6	2	GB/6187-M6	
21	10089	WASHER PLATE 10	2	GB97-10	
22	10094	CLIP 2X20	2	GB91-2X20	
23	22923	PIPE 1	1	170M.11.6-5	
24	22924	CLIP	2	170M.11.6-4	
25	22925	TANK RECOVERY	1	170M.11.6-3	
26	22926	CAP	1	170M.11.6.1	
27	10140	BOLT FLANGE M6X12	1	GB/T5787-M6X12	
28	23028	PIPE 2	1	170M.11.6-2	

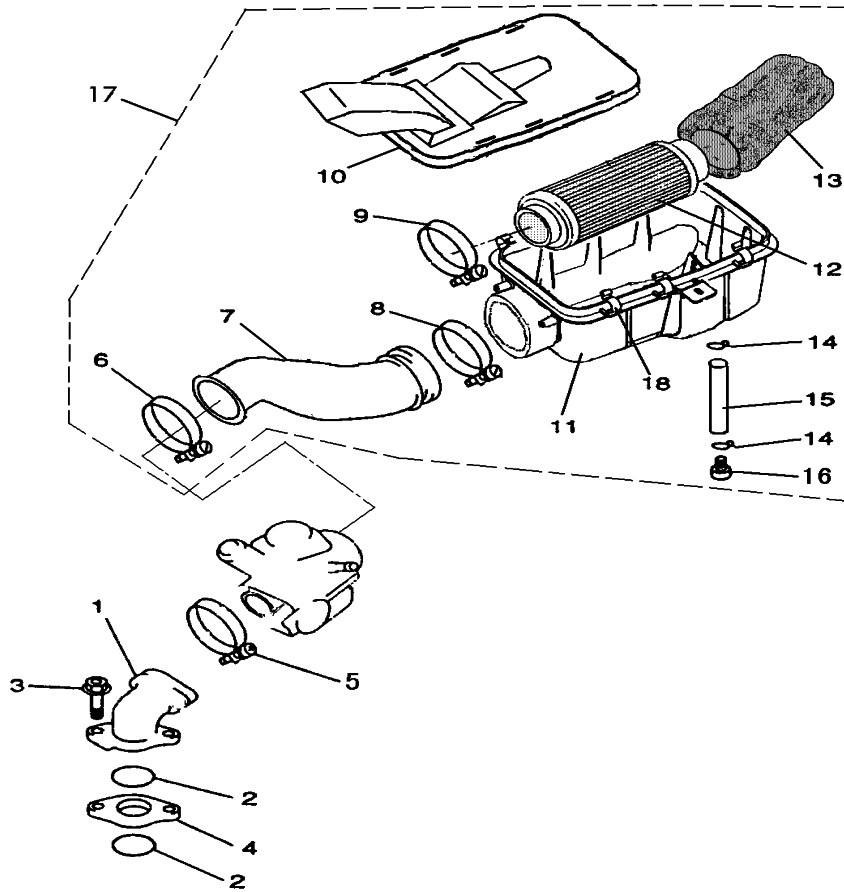
25 OIL PUMP



REF. No.	PART NO.	DESCRIPTION	Q'TY	SIZE
1	23101	OIL PUMP ASSY	1	170M.8
2	10096	DOWEL PIN 3X12	2	GB309-3X12
3	23103	GEAR PUMP DRIVEN	1	170M.8-8
4	10097	DOWEL PIN C3X22	1	GB309-3X22
5	22814	WASHER PLATE	1	170M.8-6
6	10130	CIRCLIP	1	GB896-6
7	23107	GASKET	1	170M.8-1
8	10098	SCREW M6X25	2	GB191-M6X25
9	23109	OIL STRAINER	1	170M.4.6
10	23110	COMPRESSION SPRING	1	170M.4-15
11	23111	DRAIN PLUG	1	170M.4-14
12	23112	O-RING 36X3.5	1	170M.4-13

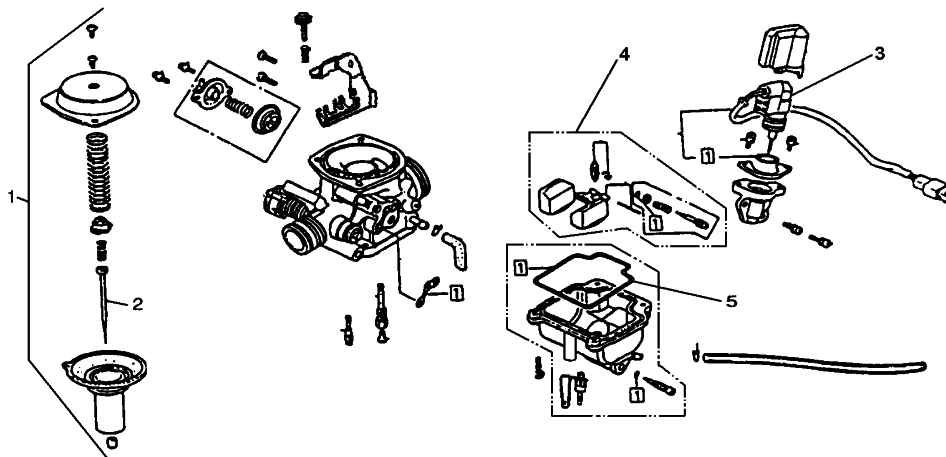
36X3.5

26 AIR CLEANER



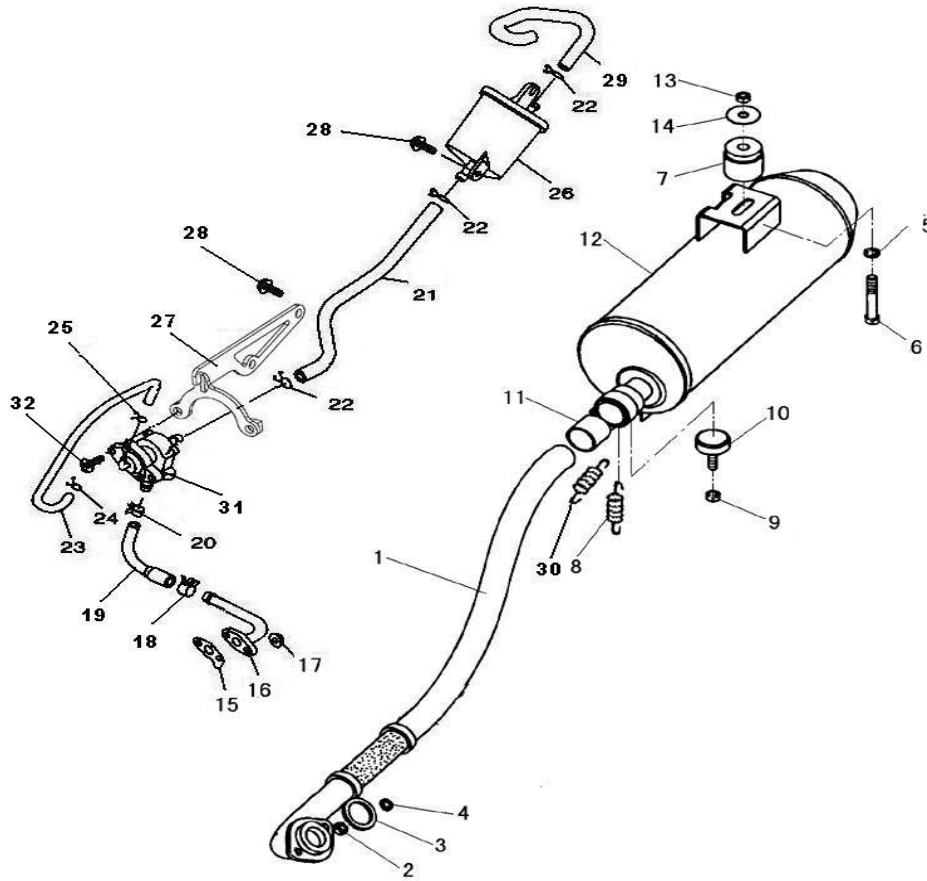
REF. No.	PART NO.	DESCRIPTION	Q'TY	SIZE
1	23201	JOINT CARBURETOR 1	1	170M-A.17.2
2	23202	O-RING 35X2	2	170M.17-13 35X2
3	10085	BOLT M6X25	2	GB70-M6X25
4	23204	JOINT	1	170M.17-12
5	23205	HOSE CLAMP D	1	170M.17.4
6	23206	HOSE CLAMP C	1	LH260ATV.16.6
7	23207	AIR CLEANER JOINT	1	LH260ATV.16-2
8	23208	HOSE CLAMP B	1	LH260ATV.16.4
9	23209	HOSE CLAMP A	1	LH260ATV.16.2
10	23210	COVER AIR CLEANER	1	LH260ATV.16.5
11	23211	AIR CLEANER CASE1	1	LH260ATV.16.3
12	23212	ELEMENT COMP AIR CLEANER	1	LH260ATV.16.1
13	23213	FILTER COVER	1	LH260ATV.16.7
14	23214	CLIP	2	LH260ATV.16-4
15	23215	HOSE	1	LH260ATV.16-3
16	23216	PLUG	1	LH260ATV.16-5
17	23217	AIR CLEANER ASSY	1	LH260ATV.16
18	23218	AIR CLEANER COVER CLIP	6	

27 CARBURATOR



REF. No.	PART NO.	DESCRIPTION	Q'TY	SIZE
1	23301	CARBURETOR ASSY	1	170M.13.2
2	23302	JET NEEDLE SET	1	170M.13.2-1
3	23303	AUTO CHOKE ASSEM	1	170M.13.2.1
4	23304	FLOAT ASSY	1	170M.13.2.2
5	23305	BOWL GASKET	1	170M.13.2-2

28 EXHAUST

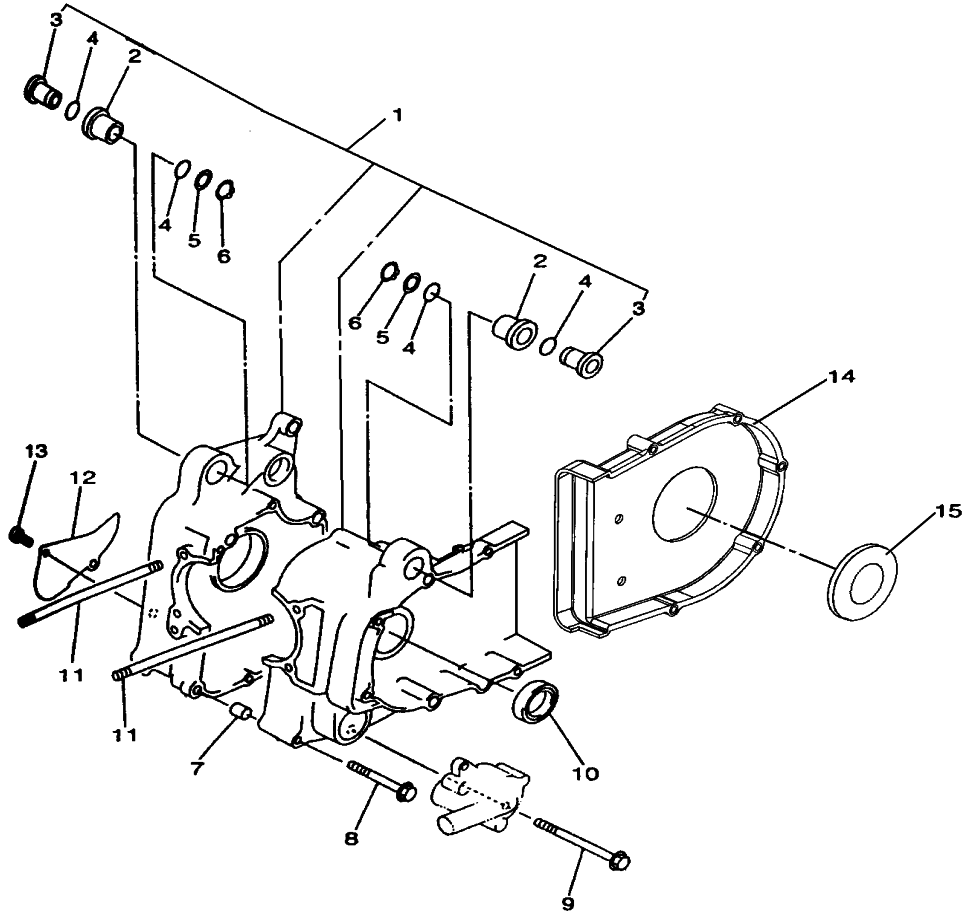


REF. No.	PART No.	DESCRIPTION	Q'TY	SIZE
1	23401	EXHAUST PIPE	1	LH260ATV.15.4a
2	10099	SELF-LOCKING NUT M8	2	GB/T6170-M8
3	23403	EXHAUST PIPE GASKET	1	170M.19.3
4	10106	WASHER 8	3	GB/T93-8
5	10117	WASHER PLATE 10	1	GB/T96-10
6	10120	BOLT FLANGE M10X1.25X62	1	GB/T5787-M10X1.25X62
7	23415	MUFFLER SUPPORT	1	LH260ATV.15.2
8	23408	SPRING	1	LH260ATV.15-1
9	10099	NUT M8	2	GB/T6170-M8
10	23410	MUFFLER SUPPORT BOTTOM	1	LH260ATV.15.3
11	23411	MUFFLER JOINT	1	170M.19.4
12	23412	MUFFLER	1	LH260ATV.15b.1
13	10015	NUT M10X1.25	1	GB/T6187 -M10X1.25
14	10117	WASHER PLATE 10	1	GB/T96-10
15	43510	WASHER	1	170M.20-10
16	43511	HOSE	1	170M.20.3
17	10004	BOLT M6	2	GB/T6187
18	43513	CLIP 16	1	170M.20-9
19	43512	HOSE C	1	170M.20-8
20	43514	CLIP 13	1	170M.20-4
21	43525	HOSE B	1	170M.20-3
22	43519	HOSE CLAMP 16	3	170M.20-2
23	43520	PIPE	1	170M.20-7
24	43521	CLIP 9	1	170M.20-6
25	43522	CLIP 7.6	1	170M.20-5
26	43523	FILTER	1	170M.20.1
27	33227	VALVE BRACKET	1	170M-A.20.4
28	10140	BOLT M6X12	4	GB/T5787

M6X12

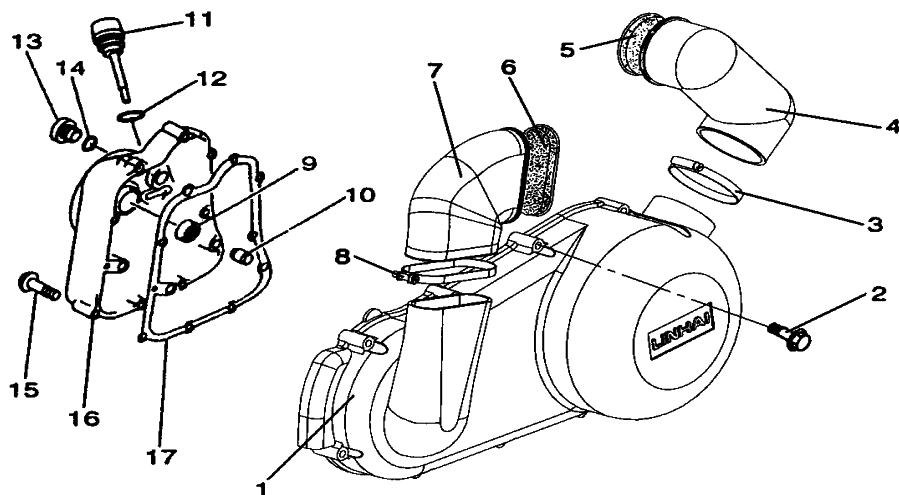
29	43518	HOSE A	1	170M.20-1	
30	33230	SPRING	1	YB100S.13-2	
31	43516	VALVE	1	170M.20.2	
32	10182	BOLT M6X20	2	GB/T5789	M6X20

29 CRANKCASE



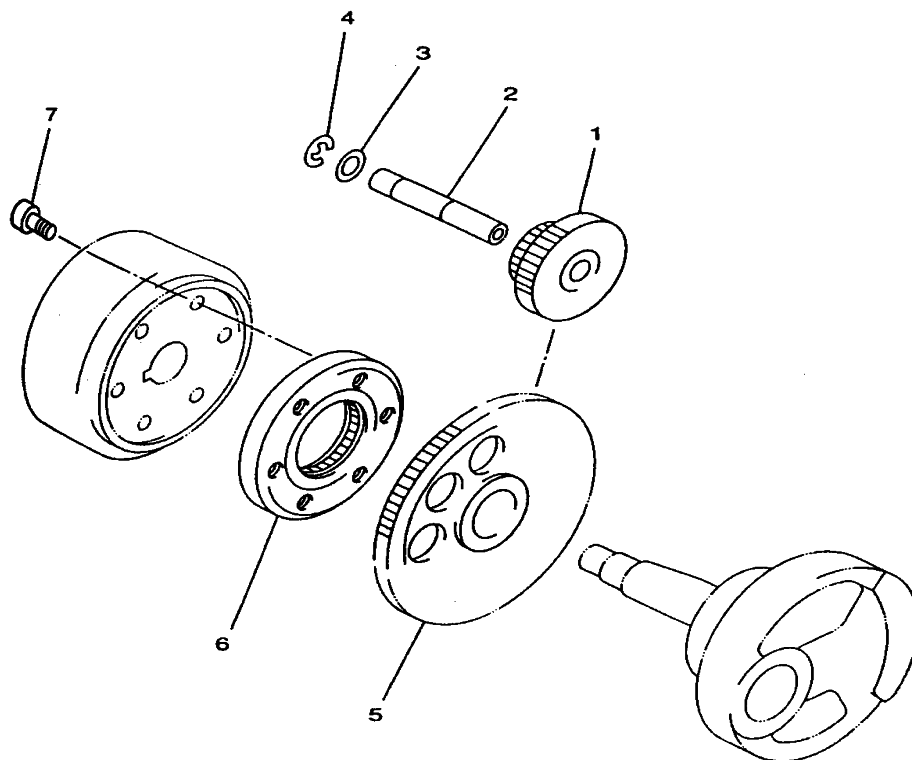
REF. No.	PART NO.	DESCRIPTION	Q'TY	SIZE	
1	23501	CRANKCASE ASSY	1	170M-A.4	
2	23502	HOLDER	2	170M.4.7	
3	23503	COLLAR	2	170M.4-17	
4	23504	O-RING	4	170M.4-16	
5	23505	WASHER PLATE 16	2	170M.4-18	
6	10121	CIRCLIP 16	2	GB894.1-16	
7	22422	DOWEL PIN 10X14	2	1E52FM010011	10X14
8	23508	FLANGE BOLT M6X70	4	170M.4-5	M6X70
9	23509	FLANGE BOLT M6X100	5	153FM.16-9	M6X100
10	23510	OIL SEAL 30X45X5	1	170M.4.3	30X45X5
11	23511	STUD BOLT M8X245	4	170M.4-3	M8X245
12	23512	COVER CRANKCASE RIGHT	1	170M.4-12	
13	10036	SOCKET HEAD BOLT M6X14	2	GB70-M6X14	
14	23514	REAR INSIDE COVER	1	LH260ATV.14.1.1	
15	23515	SEALING COVER	1	LH260ATV.14.1-2	

30 LEFT-RIGHT COVER



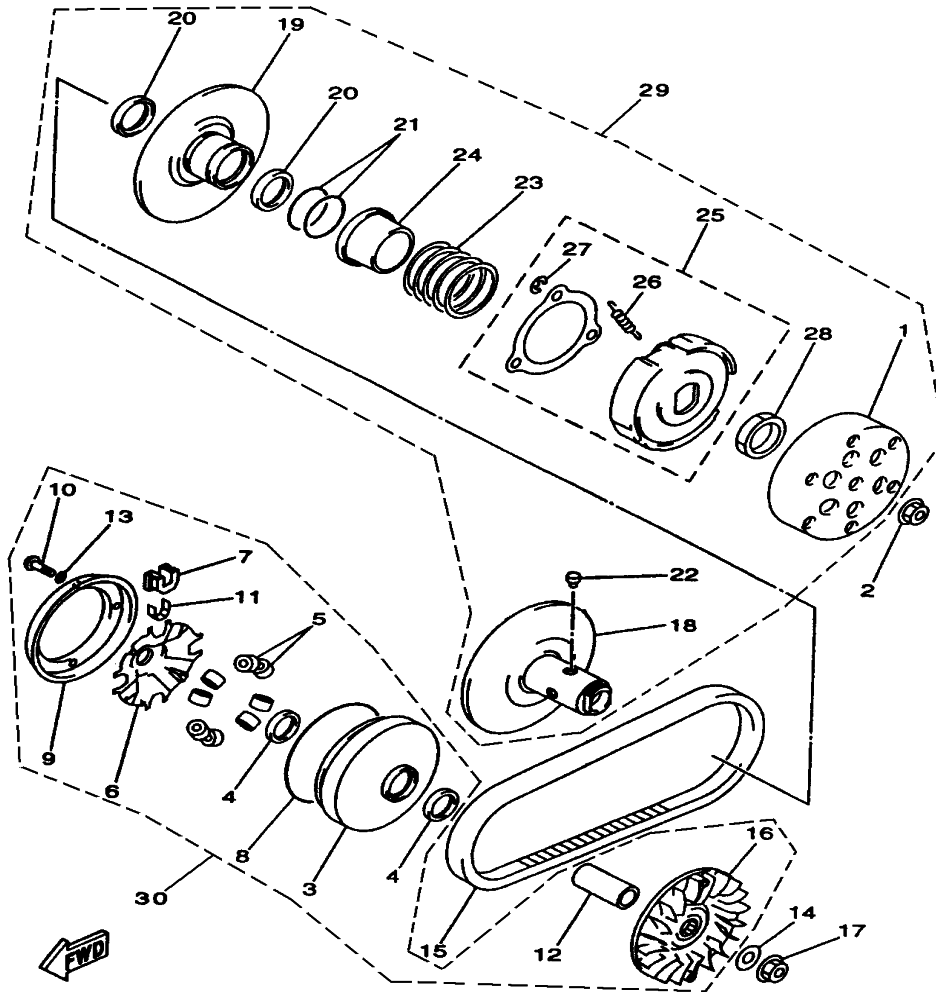
REF. No.	PART NO.	DESCRIPTION	Q'TY	SIZE	
1	23601	COVER CRANKCASE LEFT	1	LH260ATV.14.2-2	
2	23602	FLANGE BOLT M6X52	5	LH260ATV.14.1-3	M6X52
3	23603	HOSE CLAMP B	1	LH260ATV.14.2.4	
4	23604	JOINT A	1	LH260ATV.14.2-3	
5	23605	AIR STRAINER B	1	LH260ATV.14.2.3	
6	23606	AIR STRAINER A	1	LH260ATV.14.2.2	
7	23607	JOINT B	1	LH260ATV.14.2-1	
8	23608	HOSE CLAMP A	1	LH260ATV.14.2.1	
9	23609	OIL SEAL	1	170M.5-1	
10	22422	DOWEL PIN 10X14	4	1E52FM010011	10X14
11	23611	OIL PLUG	1	170M.5-5	
12	10122	O-RING 18X2.65	1	GB3452.1-18X2.65	
13	23613	OIL PLUG	1	170M.5-4	
14	10123	O-RING 14X2.65	1	GB3452.1-14X2.65	
15	23615	FLANGE BOLT M6X40	15	170M.4-21	M6X40
16	23616	CAP COVER	1	170M.5-1	
17	23617	CRANKCASE COVER GASKET RIGHT	1	170M.5-2	

31 STARTER



REF. No.	PART NO.	DESCRIPTION	Q'TY	SIZE
1	23701	GEAR IDLER	1	170.M.7.1
2	23702	SHAFT	1	170M.7-2
3	23703	WASHER 12	1	170M.7-1
4	10129	CIRCLIP 12	1	GB894.1-12
5	23705	GEAR REDUCTION	1	170M.7.2
6	23706	STARTER CLUTCH	1	170M.7.3
7	10131	SOCKET HEAD BOLT M8X16	3	GB70-M8X16

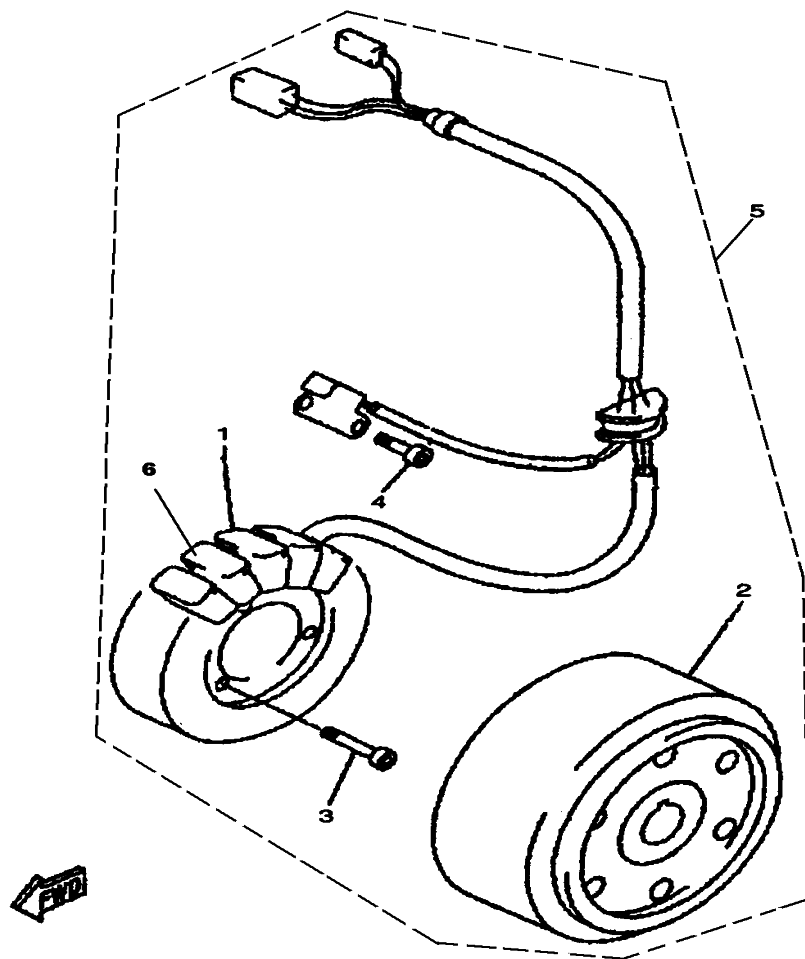
32 CLUTCH



REF. No.	PART NO.	DESCRIPTION	Q'TY	SIZE	
1	23801	CLUTCH HOUSING COMP.	1	170M.9.2.3	
2	23802	NUT M14X1	1	170M.9-2	M14X1
3	23803	PRIMARY SLIDING SHEAVE COMP	1	170M.9.1.1	
4	23804	OIL SEAL	2	170M.9.1-5	
5	23805	WEIGHT	8	170M.9.1.2	
6	23806	CAM	1	170M.9.1-4	
7	23807	SLIDER	4	170M.9.1-1	
8	23808	O-RING 118X2.5	1	170M.9.1-6	118X2.5
9	23809	STOPPER	1	170M.9.1-2	
10	10132	PAN HEAD SCREW M4X12	4	GB818-M4X12	
11	23811	SPACER 1	4	170M.9.1-3	
12	23812	COLLAR	1	170M.9-1	
13	23813	WASHER PLATE 4	4	170M.9.1-8	
14	23814	WASHER PLATE 14	1	170M.9-3	
15	23815	V-BELT	1	170M.9-4	
16	23816	SHEAVE PRIMARY FIXED	1	170M.9.1-7	
17	23802	NUT M14X1	1	170M.9-2	M14X1
18	23818	SECONDARY FIXED SHEAVE COMP.	1	170M.9.2.1.1	
19	23819	SECONDARY SLIDING SHEAVE	1	170M.9.2.1.2	
20	23820	OIL SEAL	2	170M.9.2.1-4	
21	23821	O-RING 45X1.8	2	170M.9.2.1-3	45X1.8
22	23822	PIN GUIDE	4	170M.9.2.1-2	
23	23923	COMPRESSION SPRING	1	170M.9.2.1	
24	23924	SEAT SECONDARY SPRING	1	170M.9.2.1-1	
25	23925	CLUTCH CARRIER ASSY	1	170M.9.2.2	

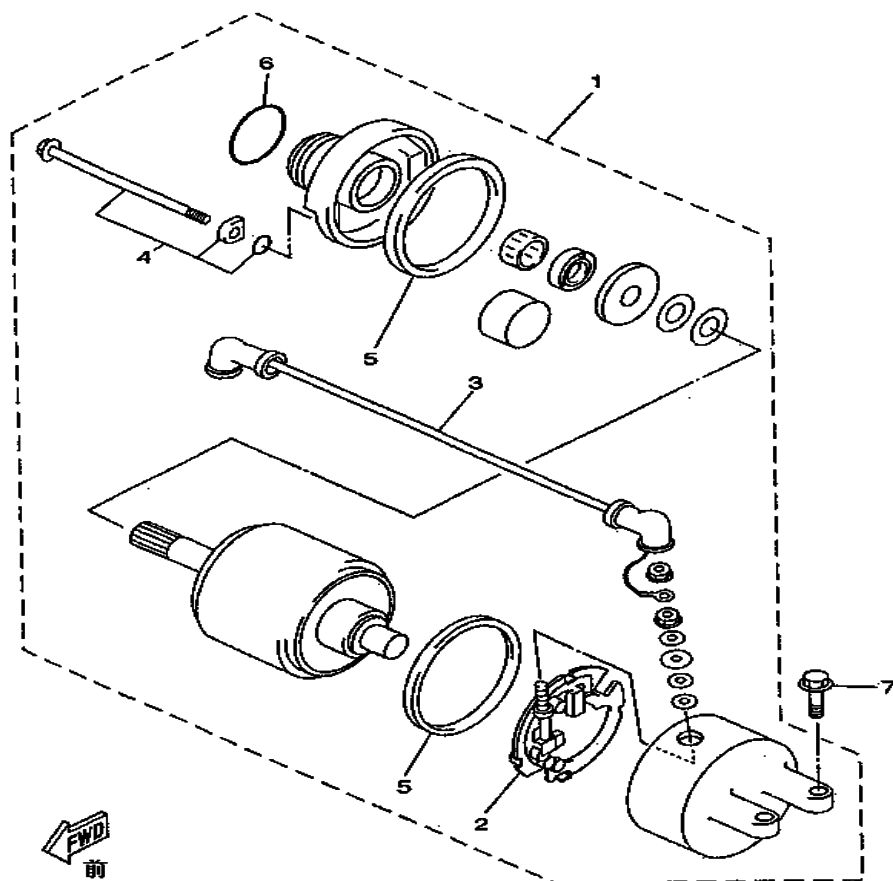
26	23926	CLUTCH WEIGHT SPRING 1	3	170M.9.2.2-4	
27	10133	CIRCLIP 8	3	GB896-8	
28	23928	NUT M36X1.5	1	170M.9.2-2	M36X1.5
29	23929	DRIVEN ASSY COMPLETE	1	170M.9.2	
30	23930	DRIVE ASSY COMPLETE	1	170M.9.1	

33 GENERATOR



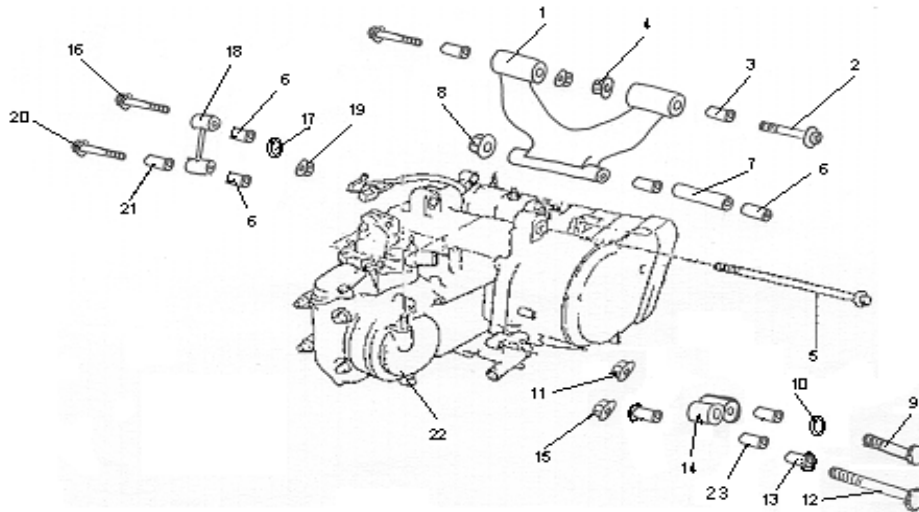
REF. No.	PART NO.	DESCRIPTION	Q'TY	SIZE
1	24001	STATOR ASSY	1	170M.6.1.2
2	24002	ROTOR ASSY	1	170M.6.1.1
3	10134	SOCKET HEAD BOLT M5X25	3	GB70-M5X25
4	10135	SOCKET HEAD BOLT M5X12	2	GB70-M5X12
5	24005	GENERATOR ASSY	1	170M.6.1
6	24006	COIL INDUCTANCE	1	170M.6.1.2.2

34 STARTING MOTOR



REF. No.	PART NO.	DESCRIPTION	Q'TY	SIZE	
1	24101	STARTING MOTOR ASSY	1	170M.16	
2	24102	BRUSH HOLD ASSY	1	170M.16.4	
3	24103	CORD,STARTER MOTOR	1	170M.16.2	
4	24104	BOLT	2	170M.16-2	
5	24105	GASKET	2	170M.16-3	
6	24106	O-RING 24.5X3	1	170M.16-1	24.5X3
7	24107	FLANGE BOLT M6X25	2	170M.4-6	M6X25

35 ENGINE



REF. No.	PART NO.	DESCRIPTION	Q'TY	SIZE
1	24201	FRONT ENGINE MOUNT BRACKET	1	LH260ATV.20.1.1
2	24202	ENGINE BRACKET BOLT	2	LH260ATV.20-2
3	24203	BUSHING ENGING BRACKET1	2	LH260ATV.20.1.2
4	10136	NUT M12X1.25	2	GB/T6187-M12X1.25
5	24205	ENGINE MOUNTING BOLT	1	LH260ATV.20-1
6	24206	BUSHING ENGING BRACKET2	4	LH260ATV.20.1.3
7	24207	SPACER ENGINE BRACKET	1	LH250T.6.1-1
8	10015	NUT M10X1.25	1	GB/T6187-M10X1.25
9	10016	BOLT M10X1.25X55	1	GB/T5785-10X1.25X55
10	24210	WASHER	1	LH260ATV.20-4
11	10015	NUT M10X1.25	1	GB/T6187-M10X1.25
12	10137	BOLT M8X120	1	GB/T5782-M8X120
13	24213	LEFT SPACER	2	LH260ATV.20-3
14	24214	STAY ENGINE LEFT	1	LH260ATV.20.2
15	10079	NUT M8	1	GB/T6187-M8
16	10138	BOLT M10X1.25X68	1	GB/T5785-M10X1.25X68
17	24217	WASHER	1	LH260ATV.20-6
18	24218	STAY ENGINE RIGHT	1	LH260ATV.20.3
19	10015	NUT M10X1.25	1	GB/T6187-M10X1.25
20	10139	BOLT M8X65	1	GB/T5782-M8X65
21	24221	RIGHT SPACER	2	LH260ATV.20-5
22	24222	ENGINE ASSY	1	LH260ATV.14
23	24223	BUSHING	2	LH260ATV.20.2.2